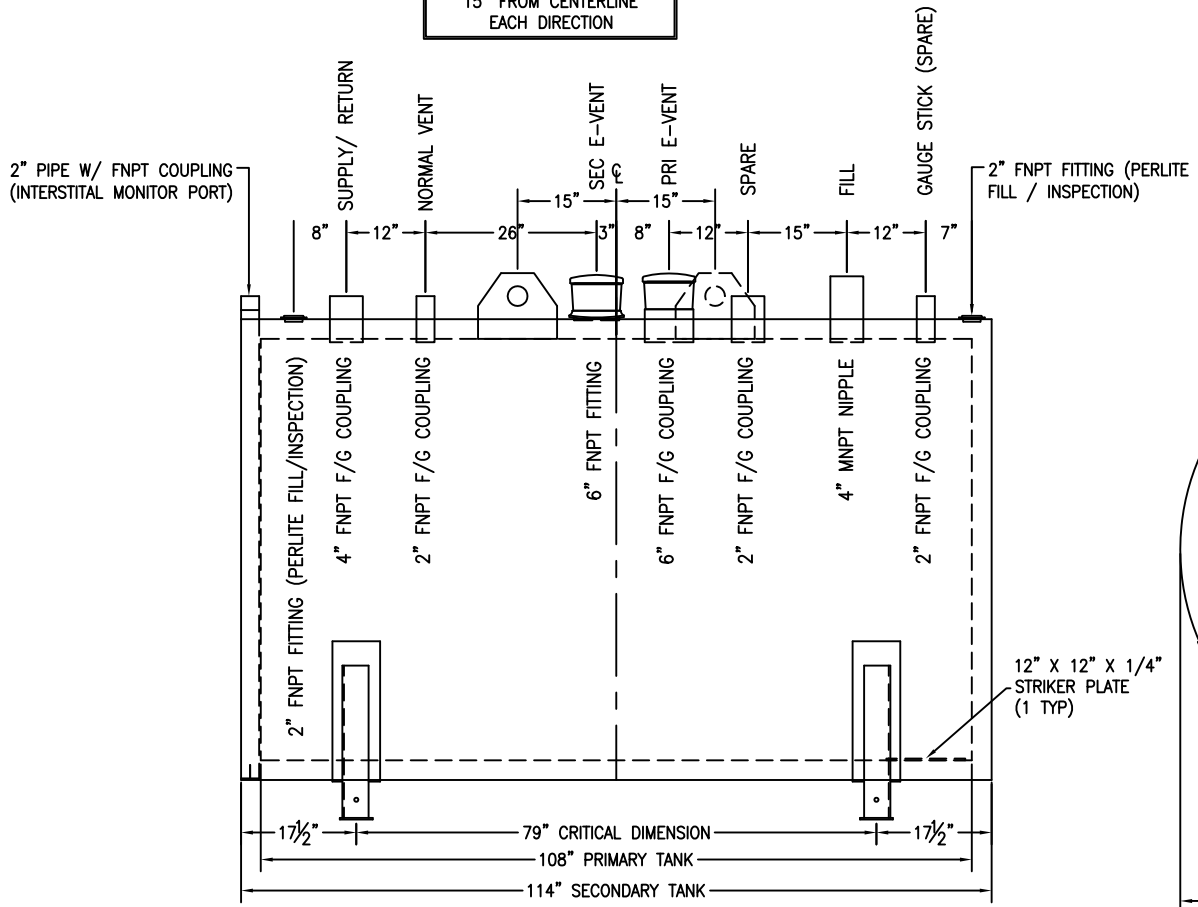
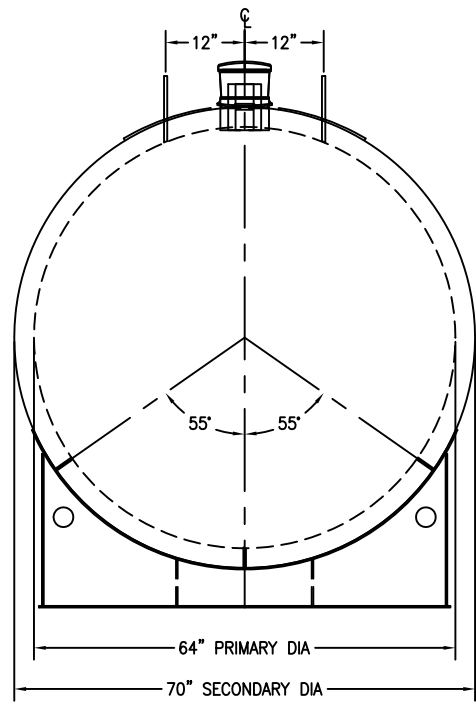


\*SADDLES ARE SEAL WELDED TO TANK

NOTE:  
LIFT LUGS SHALL BE OFFSET  
15" FROM CENTERLINE  
EACH DIRECTION



12" X 12" X 1/4"  
STRIKER PLATE  
(1 TYP)



CUSTOMER APPROVAL SIGNATURE/DATE:

1,500 GALLON THERMALLY INSULATED (FIREGUARD) STORAGE TANK

**SURFACE PREPARATION/COATING INFORMATION:**  
 INTERIOR SURFACES: N/A  
 EXTERIOR SURFACES: SSPC-SP-6 COMMERCIAL BLAST  
 FINISH PAINT WHITE

**MATERIAL /CONSTRUCTION/ LABELING INFORMATION:**  
 MATERIAL: CARBON STEEL ASTM A 36 OR A 569  
 MATERIAL THICKNESS: PRIMARY TANK: 7 GA  
 SECONDARY TANK: 7 GA

LABELING/MARKING: UNDERWRITERS LABORATORIES UL-2085  
 / STEEL TANK INSTITUTE FIREGUARD

QUANTITY: ONE (1) REQUIRED  
 WEIGHT: 6,500 lbs ± 10%

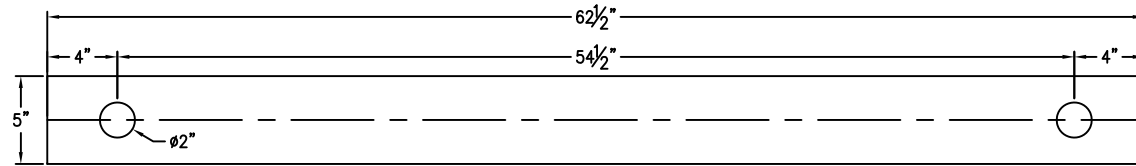
CUSTOMER:  
 PROJECT:  
 AGENT:



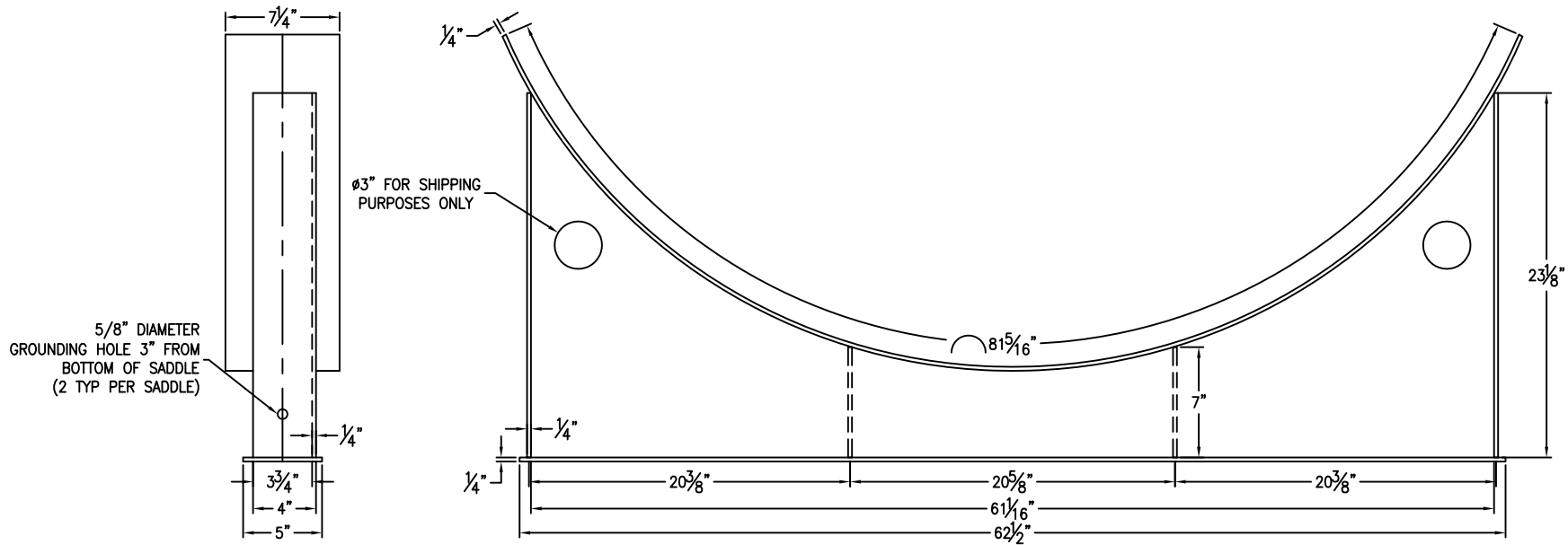
P.O. BOX 1279 GOLDSBORO, NC 27533  
 PHONE: (919)751-1791 FAX: (919)751-8186

DRAWING NUMBER: G1G1+K64 REVISED 8/08

\*SADDLES ARE SEAL WELDED TO TANK



BASE PLATE ANCHOR HOLE DETAIL



CUSTOMER APPROVAL SIGNATURE/DATE:

1,500 GAL 6" TALL SADDLE FOR 70" DIAMETER FIREGUARD TANK

**SURFACE PREPARATION/COATING INFORMATION:**  
 INTERIOR SURFACES: N/A  
 EXTERIOR SURFACES: SSPC-SP-6 COMMERCIAL BLAST CLEAN  
 FINISH PAINT WHITE

**MATERIAL /CONSTRUCTION/ LABELING INFORMATION:**  
 MATERIAL: CARBON STEEL ASTM A 36 OR A 569

CUSTOMER:  
 PROJECT:  
 AGENT:



P.O. BOX 1279 GOLDSBORO, NC 27533  
 PHONE: (919)751-1791 FAX: (919)751-8186

QUANTITY: TWO (2) REQUIRED  
 WEIGHT: 155 lbs ea ± 10%

DRAWING NUMBER: GI-S6F701.5 REVISED 8/08