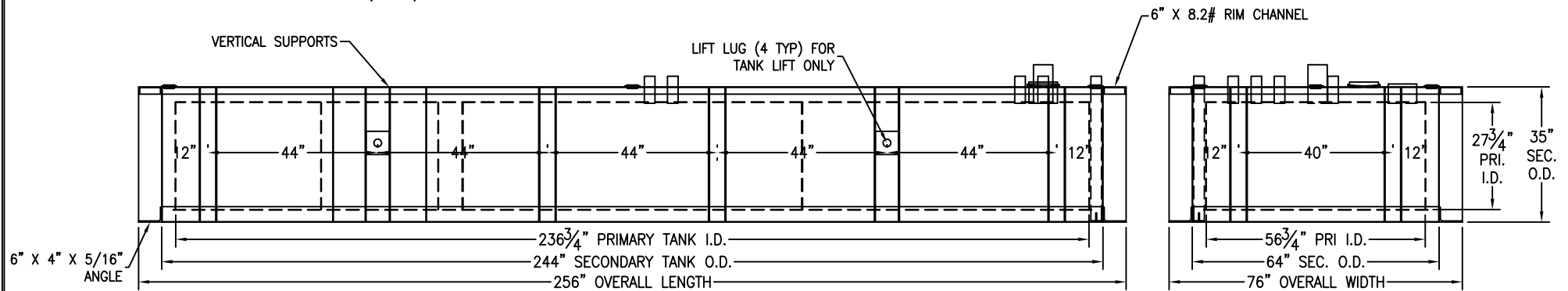


- A - 2" FNPT COUPLING W/ 2" PIPE (INTERSTIAL MONITOR)
  - B - 2" FNPT F/G COUPLING (NORMAL VENT)
  - C - 6" FNPT F/G COUPLING (PRI. E-VENT)
  - D - 6" FNPT FITTING (SEC. E-VENT)
  - E - 4" MNPT NIPPLE (FILL)
  - F - 2" FNPT F/G COUPLING (GAUGE)
  - G - 2" FNPT F/G COUPLING (PROBE)
  - H - 2" FNPT F/G COUPLING (SPARE)
  - I - 2" FNPT F/G COUPLING (SUPPLY)
  - J - 2" FNPT F/G COUPLING (RETURN)
  - K - 2" FNPT FITTING (FIREGUARD MIX FILL)
  - L - 24" X 12" INTERNAL STUB UP
- \*\*\* BEAMS CAN BE PROVIDED AS REQUIRED



CUSTOMER APPROVAL SIGNATURE/DATE:

1,550 GAL (1,210 USEABLE) GENBASE THERMALLY INSULATED STORAGE TANK

SURFACE PREPARATION/COATING INFORMATION:

INTERIOR SURFACES:  
N/A

EXTERIOR SURFACES:  
SSPC-SP-6 COMMERCIAL BLAST CLEAN  
ONE COAT DEVOE 205 EPOXY PRIMER @ 4mils DFT  
ONE COAT DEVOE 359 WHITE URETHANE @ 6mils DFT  
COAL TAR EPOXY ON EXTERIOR BOTTOM

MATERIAL /CONSTRUCTION/ LABELING INFORMATION:

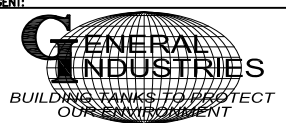
MATERIAL: CARBON STEEL ASTM A 36 OR ASTM A 569

MATERIAL THICKNESS: PRIMARY SHELL 10 GA  
SECONDARY SIDE 10 GA

CONSTRUCTION IN ACCORDANCE WITH UNDERWRITERS LABORATORIES UL-2085 STANDARD FOR STEEL ABOVEGROUND STORAGE TANKS FOR FLAMMABLE AND COMBUSTIBLE LIQUIDS AND STEEL TANK INSTITUTE STANDARD F941 FIREGUARD THERMALLY INSULATED ABOVEGROUND STORAGE TANK

LABELING/MARKING: UNDERWRITERS LABORATORIES UL-2085

CUSTOMER:  
PROJECT:  
AGENT:



P.O. BOX 1279 GOLDSBORO, NC 27533  
PHONE: (919)751-1791 FAX: (919)751-8186

DRAWING NUMBER: GIPGB1550 REVISED 10/08

QUANTITY: ONE (1) REQUIRED  
WEIGHT: 10,500 lb ± 10%