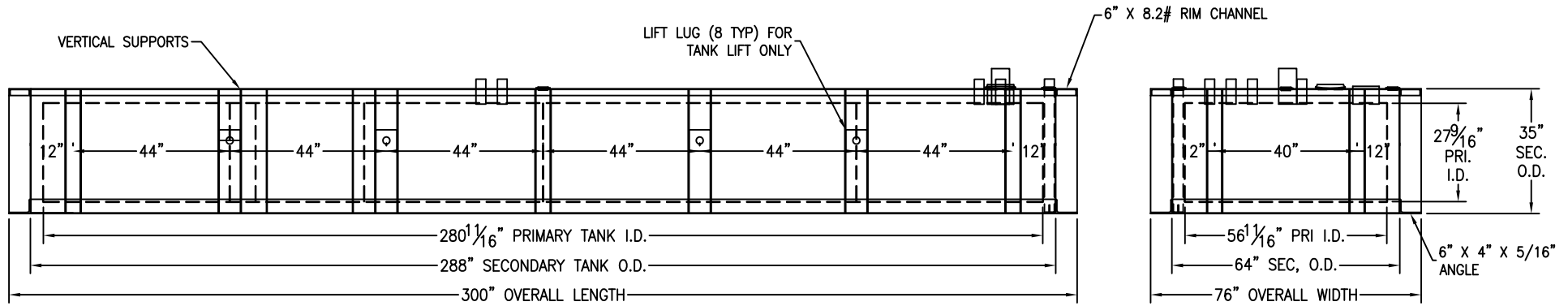


- A - 2" FNPT COUPLING W/ 2" PIPE (INTERSTIAL MONITOR)
- B - 2" FNPT F/G COUPLING (NORMAL VENT)
- C - 6" FNPT F/G COUPLING (PRI. E-VENT)
- D - 6" FNPT FITTING (SEC. E-VENT)
- E - 4" MNPT NIPPLE (FILL)
- F - 2" FNPT F/G COUPLING (GAUGE)
- G - 2" FNPT F/G COUPLING (PROBE)
- H - 2" FNPT F/G COUPLING (SPARE)
- I - 2" FNPT F/G COUPLING (SUPPLY)
- J - 2" FNPT F/G COUPLING (RETURN)
- K - 2" FNPT FITTING (FIREGUARD MIX FILL)
- L - 24" X 12" INTERNAL STUB UP
- *** BEAMS CAN BE PROVIDED AS REQUIRED



CUSTOMER APPROVAL SIGNATURE/DATE:

QUANTITY: ONE (1) REQUIRED
WEIGHT: 13,750 lb ± 10%

1,835 GAL (1,450 USEABLE) GENBASE THERMALLY INSULATED STORAGE TANK

SURFACE PREPARATION/COATING INFORMATION:

INTERIOR SURFACES:
N/A

EXTERIOR SURFACES:
SSPC-SP-6 COMMERCIAL BLAST CLEAN
ONE COAT DEVOE 205 EPOXY PRIMER @ 4mils DFT
ONE COAT DEVOE 359 WHITE URETHANE @ 6mils DFT
COAL TAR EPOXY ON EXTERIOR BOTTOM

MATERIAL /CONSTRUCTION/ LABELING INFORMATION:

MATERIAL: CARBON STEEL ASTM A 36 OR ASTM A 569

MATERIAL THICKNESS: PRIMARY SHELL 7 GA
SECONDARY SIDE 7 GA

CONSTRUCTION IN ACCORDANCE WITH UNDERWRITERS LABORATORIES UL-2085 STANDARD FOR STEEL ABOVEGROUND STORAGE TANKS FOR FLAMMABLE AND COMBUSTIBLE LIQUIDS AND STEEL TANK INSTITUTE STANDARD F941 FIREGUARD THERMALLY INSULATED ABOVEGROUND STORAGE TANK

LABELING/MARKING: UNDERWRITERS LABORATORIES UL-2085

CUSTOMER:
PROJECT:
AGENT:

P.O. BOX 1279 GOLDSBORO, NC 27533
PHONE: (919)751-1791 FAX: (919)751-8186

DRAWING NUMBER: **GIPGB1835** REVISED 10/08