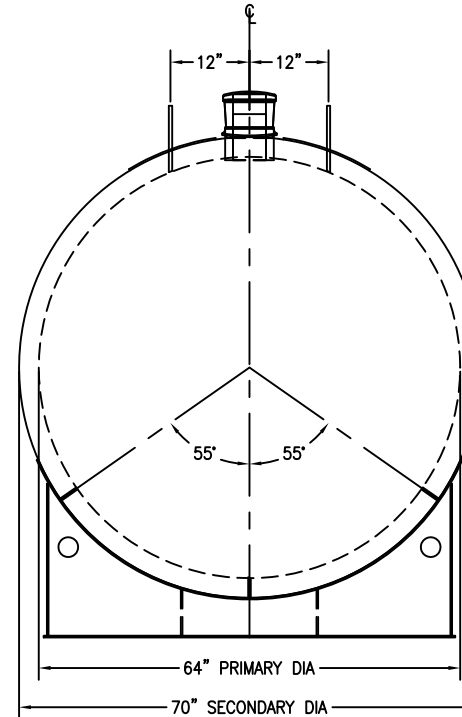
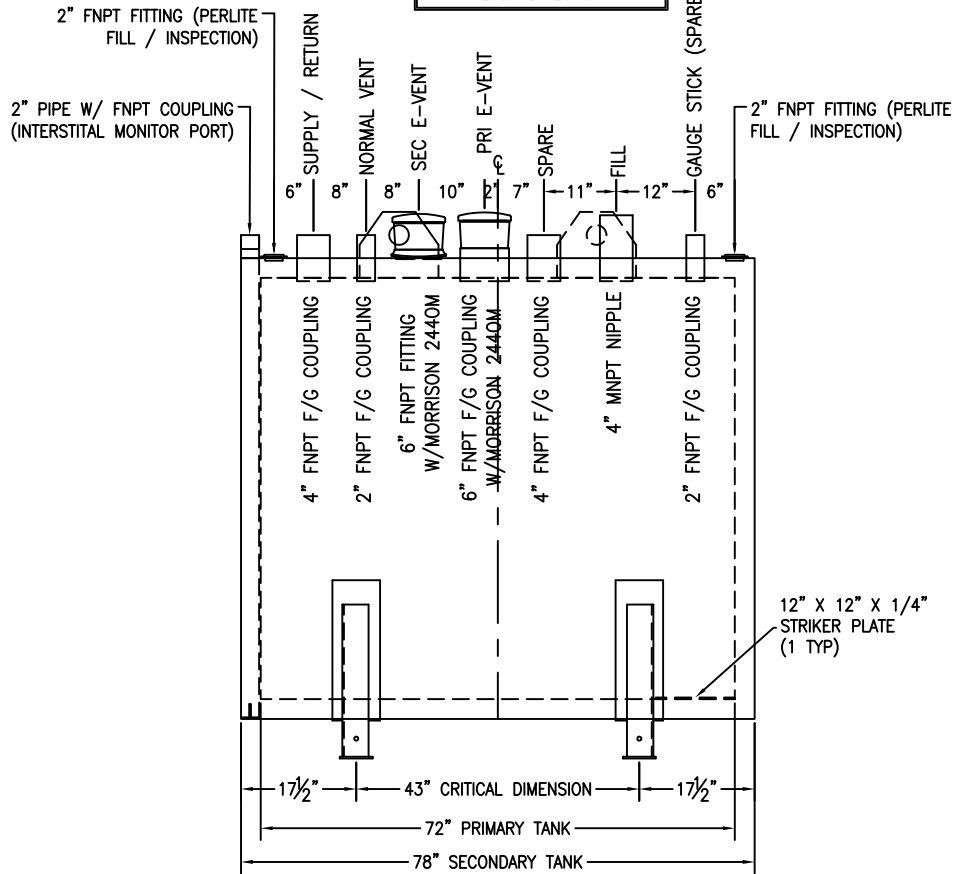


*SADDLES ARE SEAL WELDED TO TANK



NOTE:
LIFT LUGS SHALL BE OFFSET
15" FROM CENTERLINE
EACH DIRECTION



CUSTOMER APPROVAL SIGNATURE/DATE:

1,000 GALLON THERMALLY INSULATED (FIREGUARD) STORAGE TANK

SURFACE PREPARATION/COATING INFORMATION:

INTERIOR SURFACES: N/A
EXTERIOR SURFACES: SSPC-SP-6 COMMERCIAL BLAST
FINISH PAINT WHITE

MATERIAL /CONSTRUCTION/ LABELING INFORMATION:

MATERIAL: CARBON STEEL ASTM A 36 OR A 569
MATERIAL THICKNESS: PRIMARY TANK: 10 GA
SECONDARY TANK: 10 GA

LABELING/MARKING: UNDERWRITERS LABORATORIES UL-2085
/ STEEL TANK INSTITUTE FIREGUARD

CUSTOMER:

PROJECT:

AGENT:



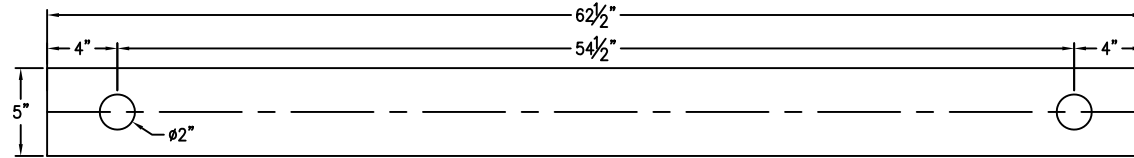
P.O. BOX 1279 GOLDSBORO, NC 27533
PHONE: (919)751-1791 FAX: (919)751-8186

DRAWING NUMBER: GIFG01K70

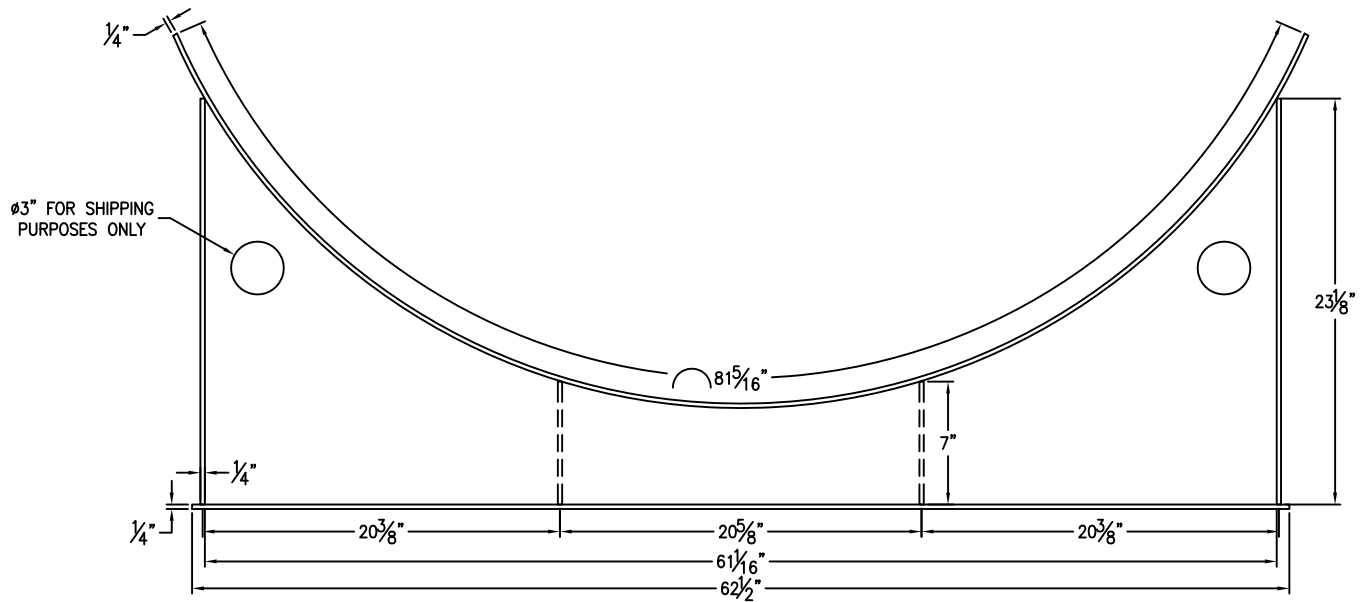
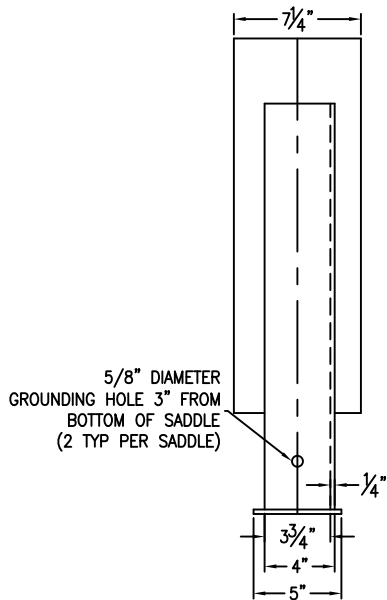
REVISED 8/08

QUANTITY: ONE (1) REQUIRED
WEIGHT: 4,750 lbs ± 10%

*SADDLES ARE SEAL WELDED TO TANK



BASE PLATE ANCHOR HOLE DETAIL



CUSTOMER APPROVAL SIGNATURE/DATE:

1,000 GAL 6" TALL SADDLE FOR 70" DIAMETER FIREGUARD TANK

SURFACE PREPARATION/COATING INFORMATION:
 INTERIOR SURFACES: N/A
 EXTERIOR SURFACES: SSPC-SP-6 COMMERCIAL BLAST CLEAN
 FINISH PAINT WHITE

MATERIAL /CONSTRUCTION/ LABELING INFORMATION:
 MATERIAL: CARBON STEEL ASTM A 36 OR A 569

CUSTOMER:
 PROJECT:
 AGENT:

P.O. BOX 1279 GOLDSBORO, NC 27533
 PHONE: (919)751-1791 FAX: (919)751-8186
 DRAWING NUMBER: **GI-S6F7001** REVISED 8/08

QUANTITY: TWO (2) REQUIRED
 WEIGHT: 156 lbs ea ± 10%