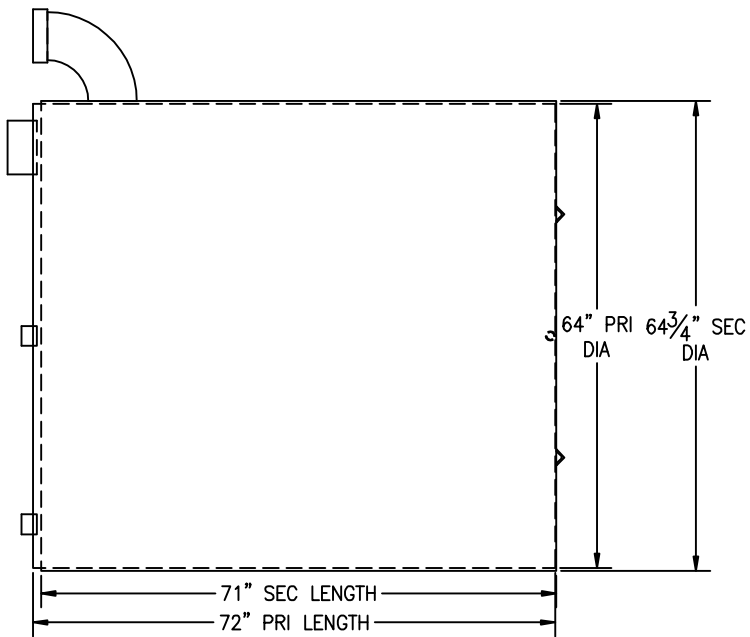
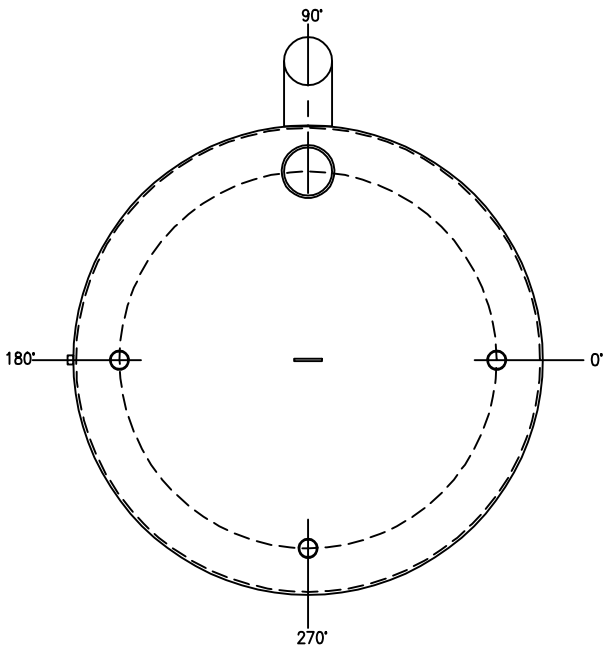




ANGLE:	LOCATION:	DESCRIPTION:
0°	TOP, 26" RADIUS	2" FNPT COUPLING
90°	SHELL	6" VERTICAL SECONDARY E-VENT
90°	TOP, 26" RADIUS	6" FNPT COUPLING
180°	TOP, 26" RADIUS	2" FNPT COUPLING
270°	SHELL	3/4" FNPT FITTING (INTERSTITIAL MONITOR)
270°	TOP, 26" RADIUS	2" FNPT COUPLING

STANDARD LAP/OFFSET WELD CONSTRUCTION TO UL-142 STANDARDS AND SPECIFICATIONS  
 ALL BOLT HOLES TO STRADDLE MAJOR CENTERLINES OR THEIR PARALLELS



CUSTOMER APPROVAL SIGNATURE/DATE:

**1000 GALLON VERTICAL FLAMESHIELD D/W ABOVE GROUND TANK**

CUSTOMER:  
 PROJECT:  
 AGENT:

**SURFACE PREPARATION/COATING INFORMATION:**

**MATERIAL /CONSTRUCTION/ LABELING INFORMATION:**

INTERIOR SURFACES:  
 N/A  
 EXTERIOR SURFACES:  
 SSPC-SP-6 COMMERCIAL BLAST CLEAN  
 ONE COAT PRIMER  
 BLACK ASPHALTUM PAINT ON EXTERIOR BOTTOM

MATERIAL: CARBON STEEL (ASTM A 36, ASTM A 635 OR ASTM A 569)  
 MATERIAL THICKNESS: PRIMARY TANK: 10 GA  
 SECONDARY TANK: 10 GA

CONSTRUCTION IN ACCORDANCE WITH UNDERWRITERS LABORATORIES UL-142 / STI 921  
 STANDARDS FOR STEEL ABOVEGROUND TANKS FOR FLAMMABLE AND COMBUSTIBLE LIQUIDS

LABELING/MARKING: UNDERWRITERS LABORATORIES UL-142 /  
 GENERAL INDUSTRIES NAMEPLATE



P.O. BOX 1279 GOLDSBORO, NC 27533  
 PHONE: (919)751-1791 FAX: (919)751-8186

QUANTITY: ONE (1) REQUIRED  
 WEIGHT: 1,850 lbs ± 5%

DRAWING NUMBER: