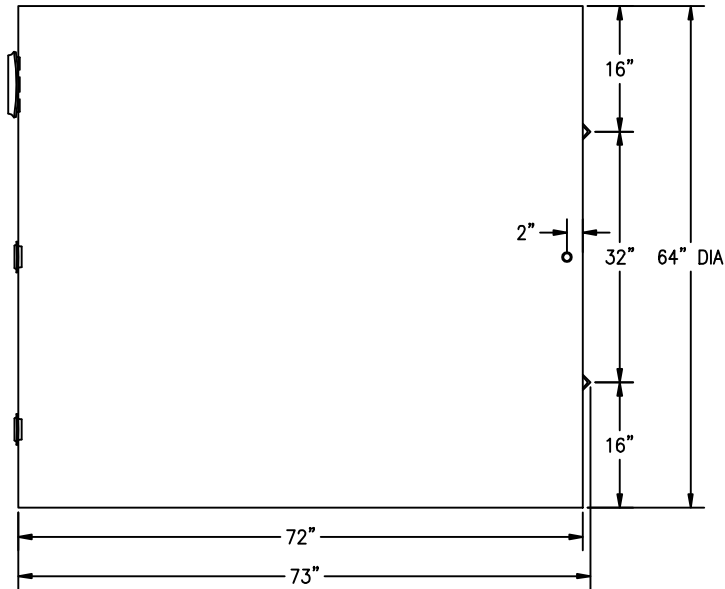
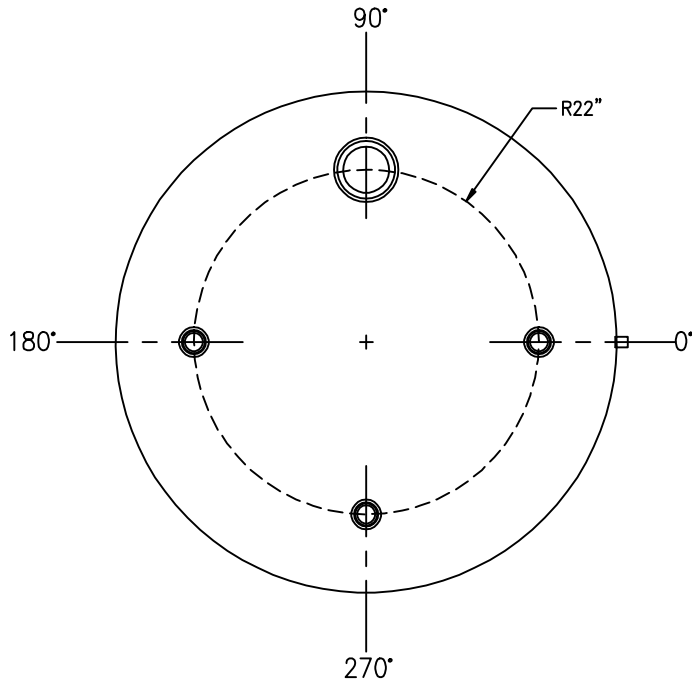




ANGLE:	LOCATION:	DESCRIPTION:
0°	SHELL, UP 2"	3/4" FNPT COUPLING
0°	TOP, 22" RADIUS	2" FNPT FITTING
90°	TOP, 22" RADIUS	6" FNPT FITTING (EMERGENCY VENT)
180°	TOP, 22" RADIUS	2" FNPT FITTING
270°	TOP, 22" RADIUS	2" FNPT FITTING

STANDARD LAP/OFFSET WELD CONSTRUCTION TO UL-142 STANDARDS AND SPECIFICATIONS
 ALL BOLT HOLES TO STRADDLE MAJOR CENTERLINES OR THEIR PARALLELS



CUSTOMER APPROVAL SIGNATURE/DATE:

1000 GALLON VERTICAL S/W ABOVE GROUND TANK

SURFACE PREPARATION/COATING INFORMATION:

INTERIOR SURFACES:
 N/A

EXTERIOR SURFACES:
 SSPC-SP-6 COMMERCIAL BLAST CLEAN
 ONE COAT PRIMER
 BLACK ASPHALTUM PAINT ON EXTERIOR BOTTOM

MATERIAL /CONSTRUCTION/ LABELING INFORMATION:

MATERIAL: CARBON STEEL (ASTM A 36, ASTM A 635 OR ASTM A 569)
 MATERIAL THICKNESS: PRIMARY TANK: SHELL 10 GA BOTTOM 10 GA TOP 10 GA

CONSTRUCTION IN ACCORDANCE WITH UNDERWRITERS LABORATORIES UL-142 STANDARDS FOR STEEL ABOVEGROUND TANKS FOR FLAMMABLE AND COMBUSTIBLE LIQUIDS

LABELING/MARKING: UNDERWRITERS LABORATORIES UL-142 / GENERAL INDUSTRIES NAMEPLATE

QUANTITY: ONE (1) REQUIRED
 WEIGHT: 1,000 lbs ± 5%

CUSTOMER:

PROJECT:

AGENT:

P.O. BOX 1279 GOLDSBORO, NC 27533
 PHONE: (919)751-1781 FAX: (919)751-8186
 DRAWING NUMBER: