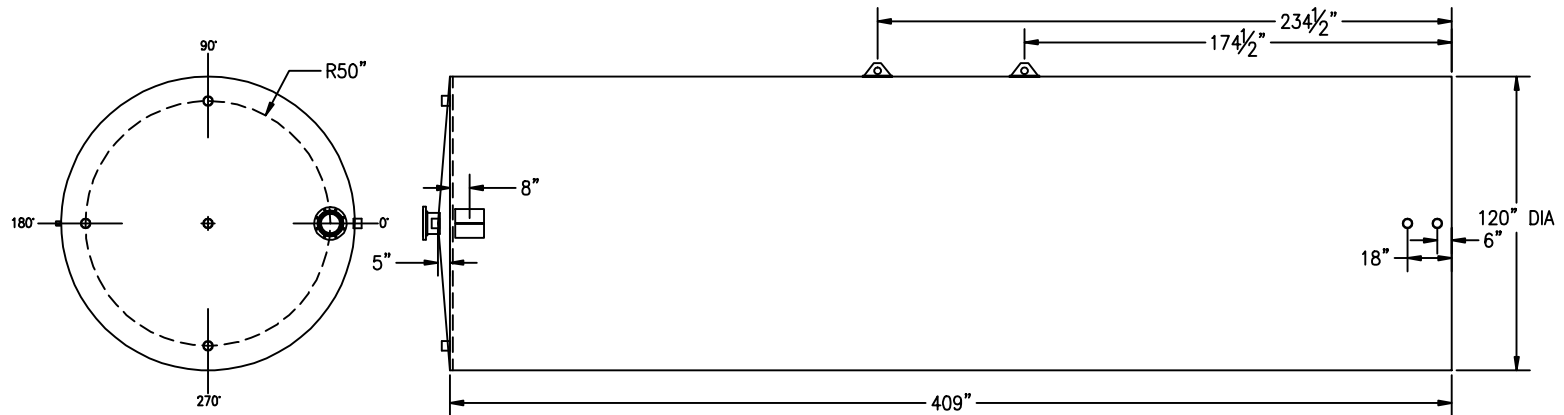




ANGLE:	LOCATION:	DESCRIPTION:	ANGLE:	LOCATION:	DESCRIPTION:
0°	SHELL, DOWN 8"	3/8" THICK ERECTION LUG w/ ROLLED REPAD	90°	TOP, 50" RADIUS	3" COUPLING
0°	SHELL, UP 6"	3" COUPLING	180°	SHELL, UP 2"	1" COUPLING
0°	SHELL, UP 18"	3" COUPLING	180°	SHELL, DOWN 8"	3/8" THICK ERECTION LUG w/ ROLLED REPAD
0°	TOP, 50" RADIUS	8" 150# RFSO FLANGE (EMERGENCY VENT)	180°	TOP, 50" RADIUS	3" COUPLING
90°	SHELL, UP 174 1/2"	3/8" THICK LIFT LUG w/ ROLLED REPAD	270°	TOP, 50" RADIUS	3" COUPLING
90°	SHELL, UP 234 1/2"	3/8" THICK LIFT LUG w/ ROLLED REPAD	N/A	TOP, CENTER	3" COUPLING (NORMAL VENT)

STANDARD LAP/OFFSET WELD CONSTRUCTION TO UL-142 STANDARDS AND SPECIFICATIONS
 ALL BOLT HOLES TO STRADDLE MAJOR CENTERLINES OR THEIR PARALLELS



CUSTOMER APPROVAL SIGNATURE/DATE:

20,000 GALLON VERTICAL SW ABOVE GROUND TANK

SURFACE PREPARATION/COATING INFORMATION:

INTERIOR SURFACES:
N/A

EXTERIOR SURFACES:
SSPC-SP-6 COMMERCIAL BLAST CLEAN
ONE COAT PRIMER
BLACK ASPHALTUM PAINT ON EXTERIOR BOTTOM

MATERIAL /CONSTRUCTION/ LABELING INFORMATION:

MATERIAL: CARBON STEEL (ASTM A 36, ASTM A 635 OR ASTM A 569)
 MATERIAL THICKNESS: PRIMARY TANK: TOP: 7 GA SHELL: 1/4" BOTTOM: 1/4"

CONSTRUCTION IN ACCORDANCE WITH UNDERWRITERS LABORATORIES UL-142 STANDARDS FOR STEEL ABOVEGROUND TANKS FOR FLAMMABLE AND COMBUSTIBLE LIQUIDS

LABELING/MARKING: UNDERWRITERS LABORATORIES UL-142 / GENERAL INDUSTRIES NAMEPLATE

CUSTOMER:
PROJECT:
AGENT:

GENERAL INDUSTRIES
 BUILDING TANKS TO PROTECT OUR ENVIRONMENT

P.O. BOX 1279 GOLDSBORO, NC 27533
 PHONE: (919)751-1781 FAX: (919)751-8186
 DRAWING NUMBER:

QUANTITY: ONE (1) REQUIRED
 WEIGHT: 12,750 lbs ± 5%