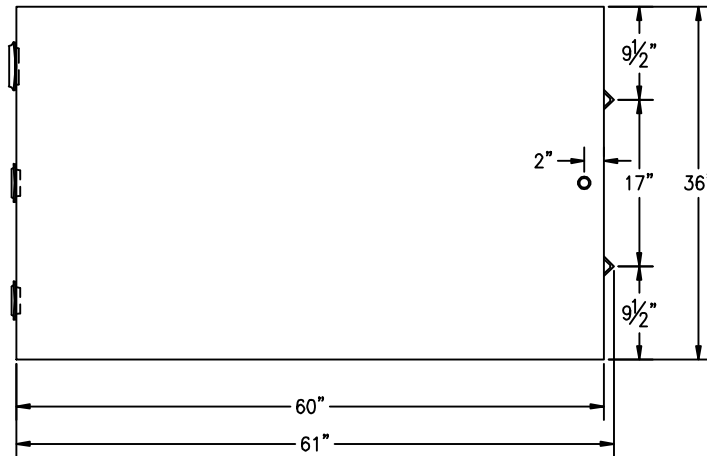
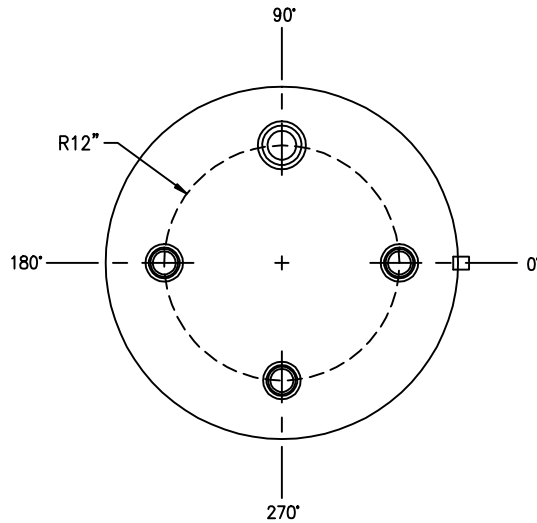




ANGLE:	LOCATION:	DESCRIPTION:
0°	SHELL, UP 2"	3/4" FNPT COUPLING
0°	TOP, 12" RADIUS	2" FNPT FITTING (NORMAL VENT)
90°	TOP, 12" RADIUS	3" FNPT FITTING (EMERGENCY VENT)
180°	TOP, 12" RADIUS	2" FNPT FITTING
270°	TOP, 12" RADIUS	2" FNPT FITTING

ALL BOLT HOLES TO STRADDLE MAJOR CENTERLINES OR THEIR PARALLELS  
 STANDARD LAP/OFFSET WELD CONSTRUCTION TO UL-142 STANDARDS AND SPECIFICATIONS



CUSTOMER APPROVAL SIGNATURE/DATE:

**270 GALLON VERTICAL SW ABOVE GROUND TANK**

**SURFACE PREPARATION/COATING INFORMATION:**  
 INTERIOR SURFACES:  
 N/A  
 EXTERIOR SURFACES:  
 SSPC-SP-6 COMMERCIAL BLAST CLEAN  
 ONE COAT PRIMER  
 BLACK ASPHALTUM PAINT ON EXTERIOR BOTTOM

**MATERIAL /CONSTRUCTION/ LABELING INFORMATION:**  
 MATERIAL: CARBON STEEL (ASTM A 36, ASTM A 635 OR ASTM A 569)  
 MATERIAL THICKNESS: PRIMARY TANK: SHELL 12 GA BOTTOM 12 GA TOP 12 GA  
 CONSTRUCTION IN ACCORDANCE WITH UNDERWRITERS LABORATORIES UL-142 STANDARDS FOR STEEL ABOVEGROUND TANKS FOR FLAMMABLE AND COMBUSTIBLE LIQUIDS  
 LABELING/MARKING: UNDERWRITERS LABORATORIES UL-142 / GENERAL INDUSTRIES NAMEPLATE

CUSTOMER:  
 PROJECT:  
 AGENT:

P.O. BOX 1279 GOLDSBORO, NC 27533  
 PHONE: (919)751-1781 FAX: (919)751-8186  
 DRAWING NUMBER:

QUANTITY: ONE (1) REQUIRED  
 WEIGHT: 550 lbs ± 5%