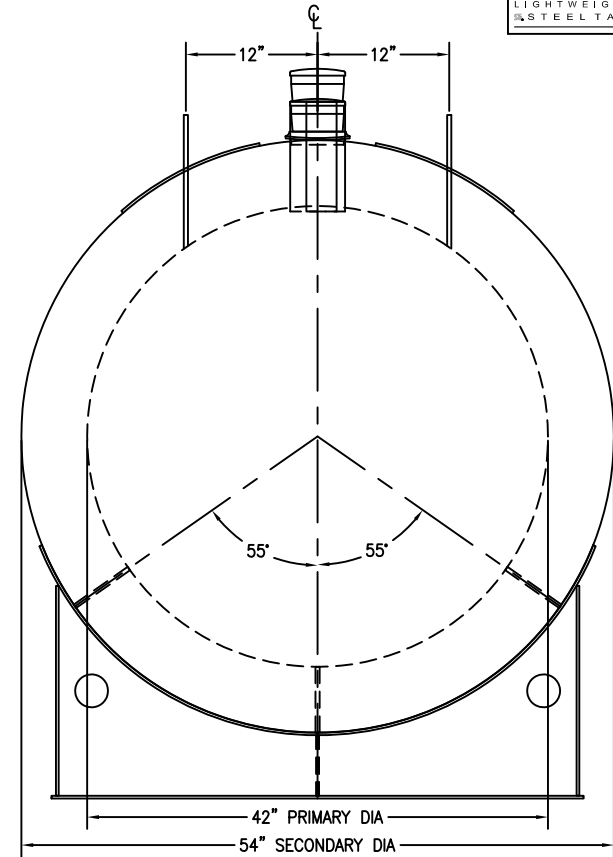
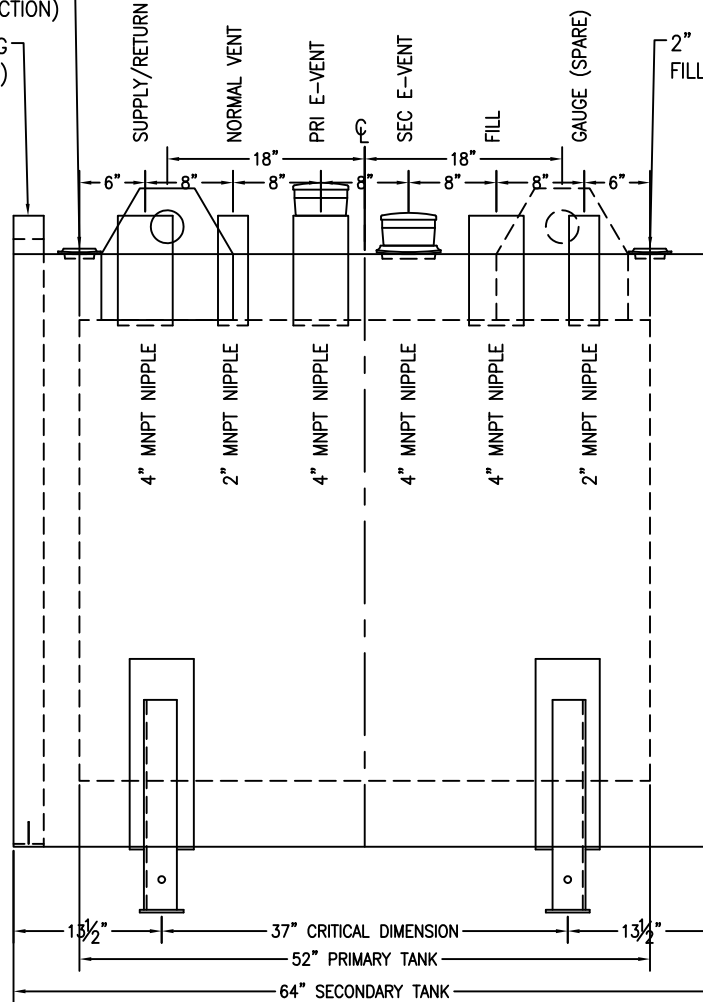


\*SADDLES ARE SEAL WELDED TO TANK

2" FNPT FITTING (PERLITE FILL / INSPECTION)  
 2" PIPE W/ FNPT COUPLING (INTERSTITIAL MONITOR PORT)



CUSTOMER APPROVAL SIGNATURE/DATE:

**300 GALLON THERMALLY INSULATED (FIREGUARD) STORAGE TANK**

**SURFACE PREPARATION/COATING INFORMATION:**

INTERIOR SURFACES: N/A  
 EXTERIOR SURFACES: SSPC-SP-6 COMMERCIAL BLAST  
 FINISH PAINT WHITE

**MATERIAL /CONSTRUCTION/ LABELING INFORMATION:**

MATERIAL: CARBON STEEL ASTM A 36 OR A 569  
 MATERIAL THICKNESS: PRIMARY TANK: 10 GA  
 SECONDARY TANK: 10 GA

LABELING/MARKING: UNDERWRITERS LABORATORIES UL-2085  
 / STEEL TANK INSTITUTE FIREGUARD

CUSTOMER:

PROJECT:

AGENT:



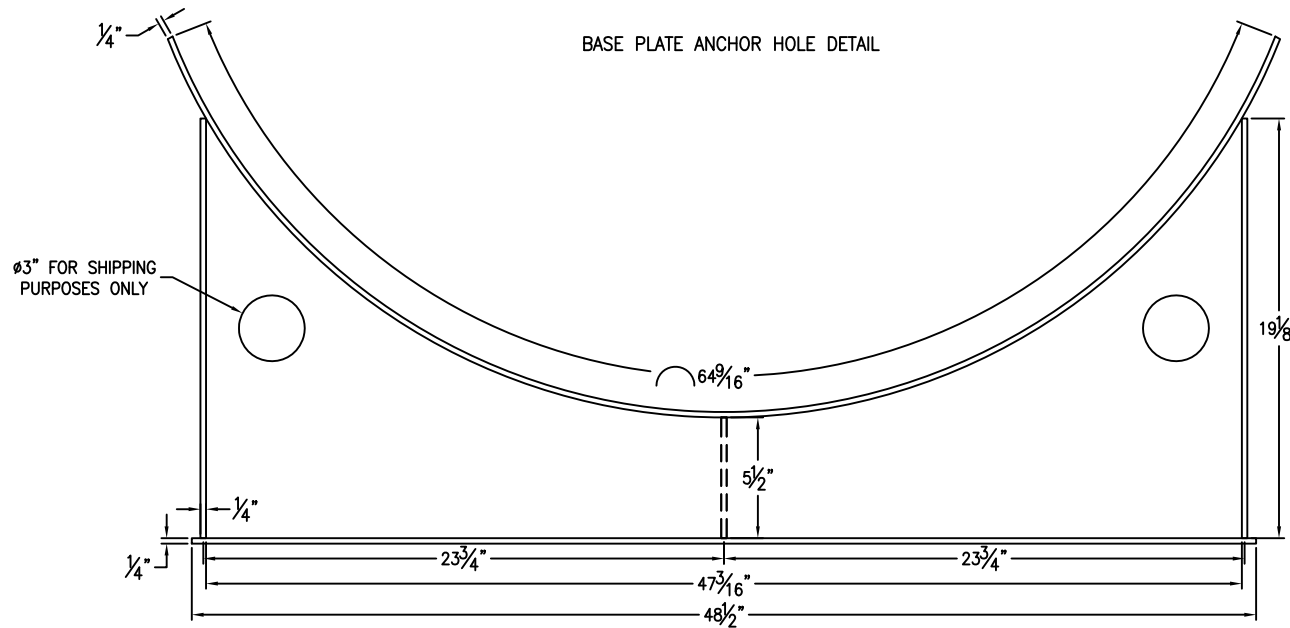
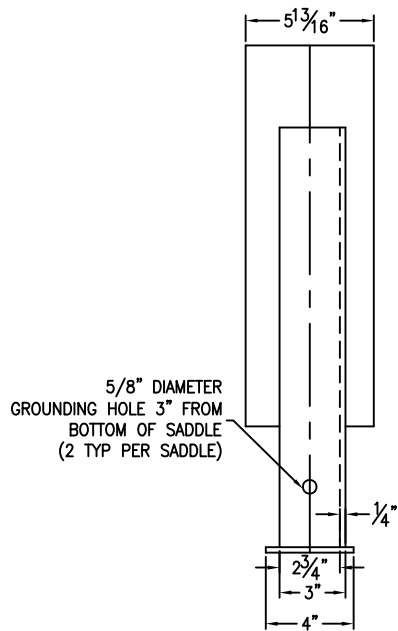
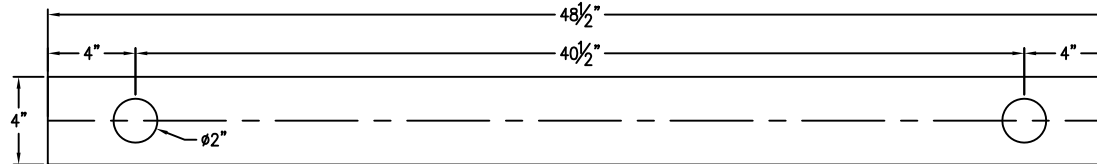
P.O. BOX 1279 GOLDSBORO, NC 27533  
 PHONE: (919)751-1791 FAX: (919)751-8186

DRAWING NUMBER: GFIG30042

REVISED 8/08

QUANTITY: ONE (1) REQUIRED  
 WEIGHT: 3,750 lbs ± 10%

\*SADDLES ARE SEAL WELDED TO TANK



CUSTOMER APPROVAL SIGNATURE/DATE:

300 GAL 6" TALL SADDLE FOR 54" DIAMETER FIREGUARD TANK

**SURFACE PREPARATION/COATING INFORMATION:**  
 INTERIOR SURFACES: N/A  
 EXTERIOR SURFACES: SSPC-SP-6 COMMERCIAL BLAST CLEAN  
 FINISH PAINT WHITE

**MATERIAL /CONSTRUCTION/ LABELING INFORMATION:**  
 MATERIAL: CARBON STEEL ASTM A 36 OR A 569

CUSTOMER:  
 PROJECT:  
 AGENT:



P.O. BOX 1279 GOLDSBORO, NC 27533  
 PHONE: (919)751-1791 FAX: (919)751-8186

DRAWING NUMBER: GI-S6F54-300 REVISED 8/08

QUANTITY: TWO (2) REQUIRED  
 WEIGHT: 104 lbs ea ± 10%