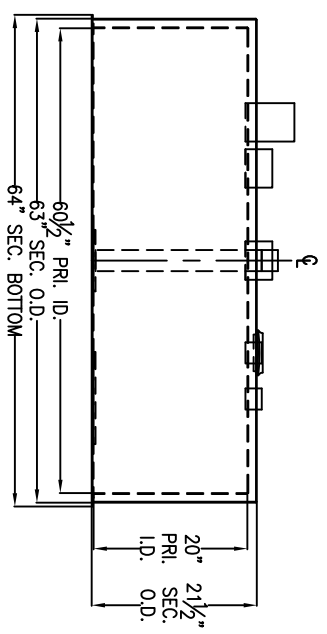
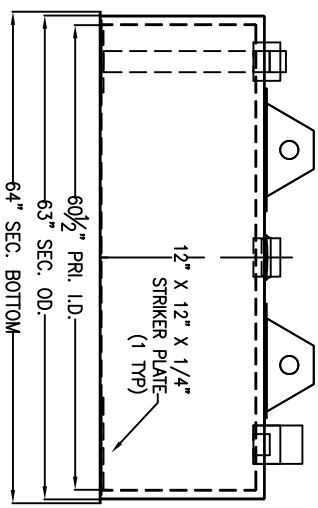
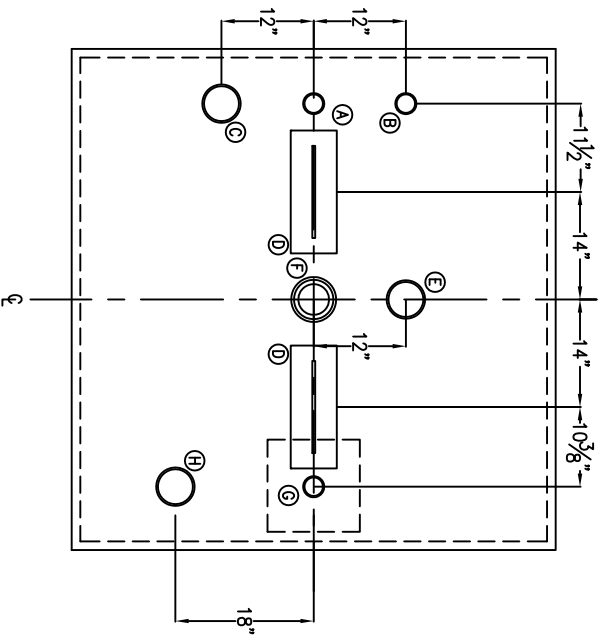


- A - 2" SCH 40 PIPE W/ 2" FNPT COUPLING AND 8" X 8" X 1/4" PLATE (INTERSTITIAL MONITOR / LEAK DETECTOR)
- B - 2" FNPT COUPLING (NORMAL VENT)
- C - 4" FNPT COUPLING (SUPPLY/RETURN)
- D - LIFTING LUG
- E - 4" FNPT COUPLING (PRIMARY EMERGENCY VENT OPENING)
- F - 4" FNPT FITTING (SECONDARY EMERGENCY VENT OPENING)
- G - 2" FNPT COUPLING (GAUGE STICK)
- H - 4" MNPT NIPPLE (FILL)



CUSTOMER APPROVAL SIGNATURE/DATE:

**300 GALLON DW FLAMESHIELD RECTANGULAR STORAGE TANK**

**SURFACE PREPARATION/COATING INFORMATION:**  
 INTERIOR SURFACES: N/A  
 EXTERIOR SURFACES: SSPC-SP-6 COMMERCIAL BLAST  
 FINISH PAINT WHITE

**MATERIAL /CONSTRUCTION/ LABELING INFORMATION:**  
 MATERIAL: CARBON STEEL ASTM A 36 OR ASTM A 569  
 MATERIAL THICKNESS: PRIMARY TANK: 10 GA  
 SECONDARY TANK: 10 GA

QUANTITY: ONE (1) REQUIRED

WEIGHT: 2000 lbs ± 10%

CUSTOMER: \_\_\_\_\_  
 PROJECT: \_\_\_\_\_  
 AGENT: \_\_\_\_\_

**GENERAL INDUSTRIES**  
 BUILDING TANKS / FLAMESHIELD PROJECT  
 OIL TANKS / FLAMESHIELD PROJECT

P.O. BOX 1279 GOUVERNEUR, NC 27533  
 TEL. (919) 751-1791 FAX. (919) 751-8188  
 DRAWING NUMBER: \_\_\_\_\_