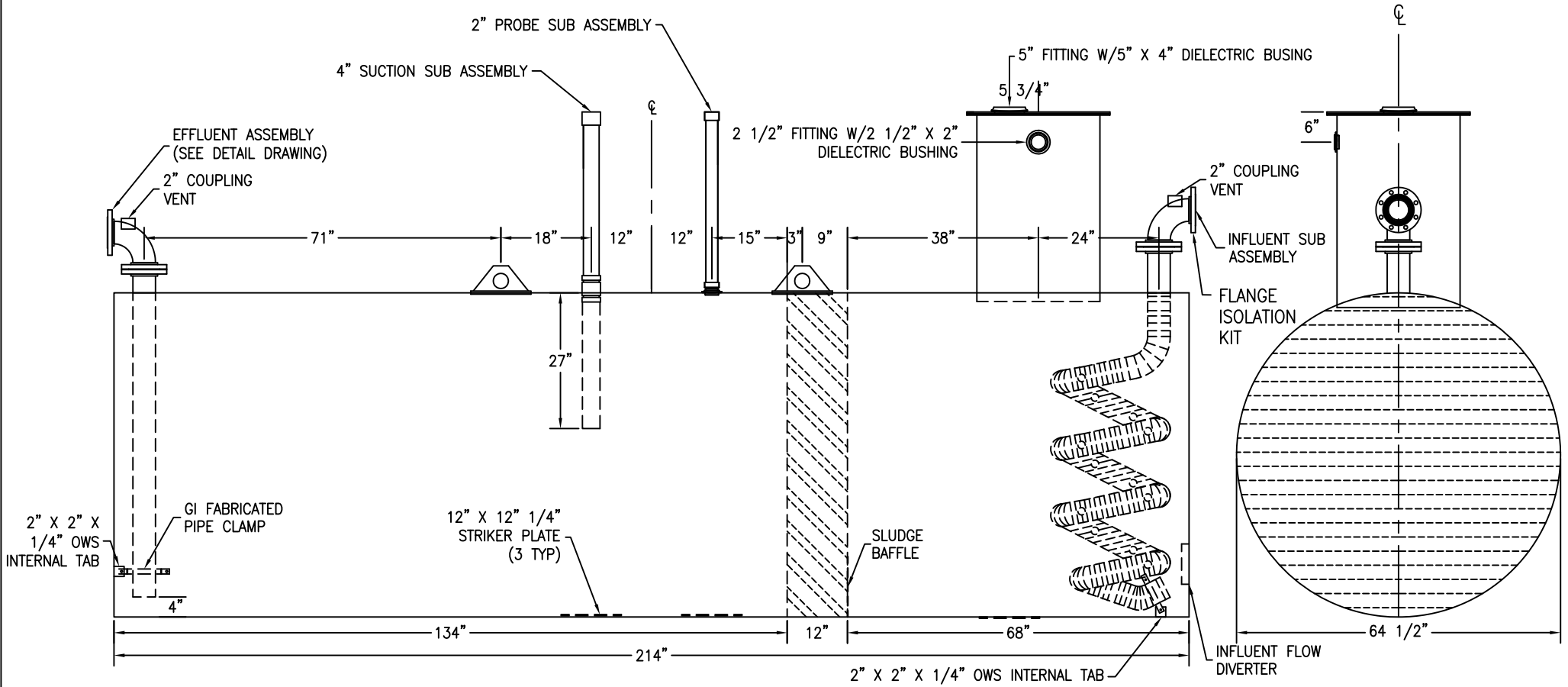
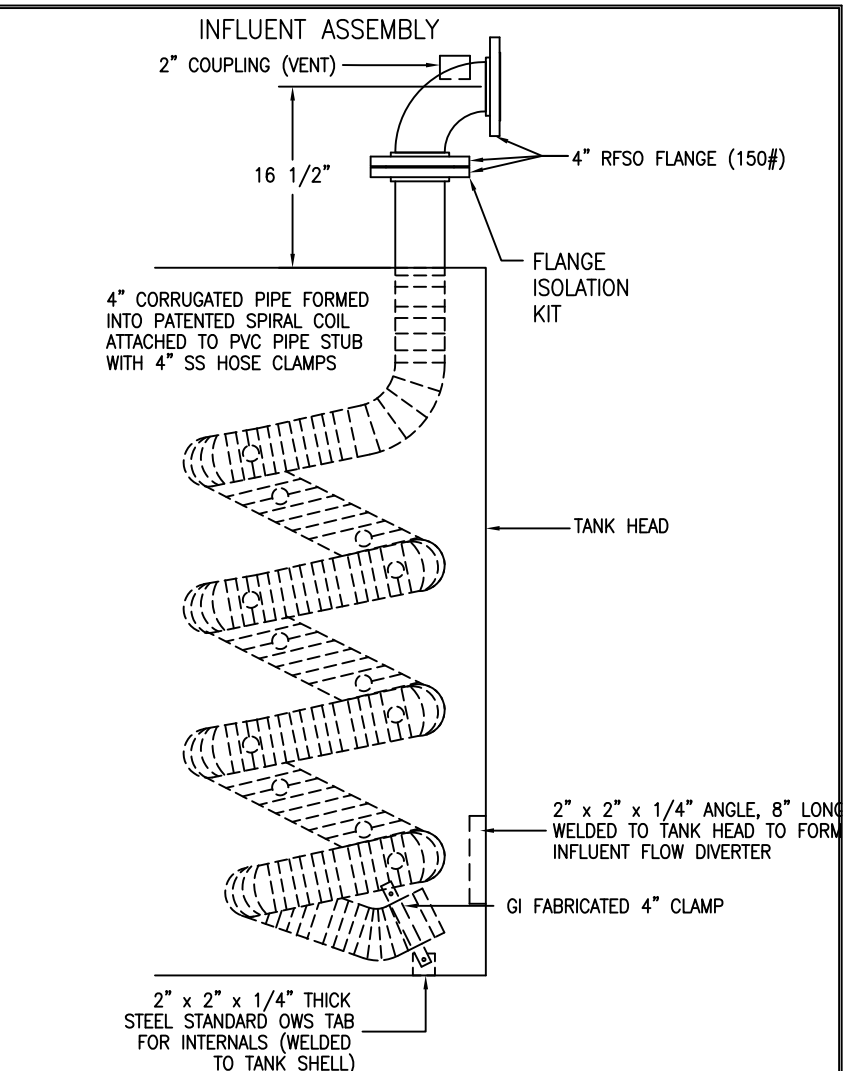
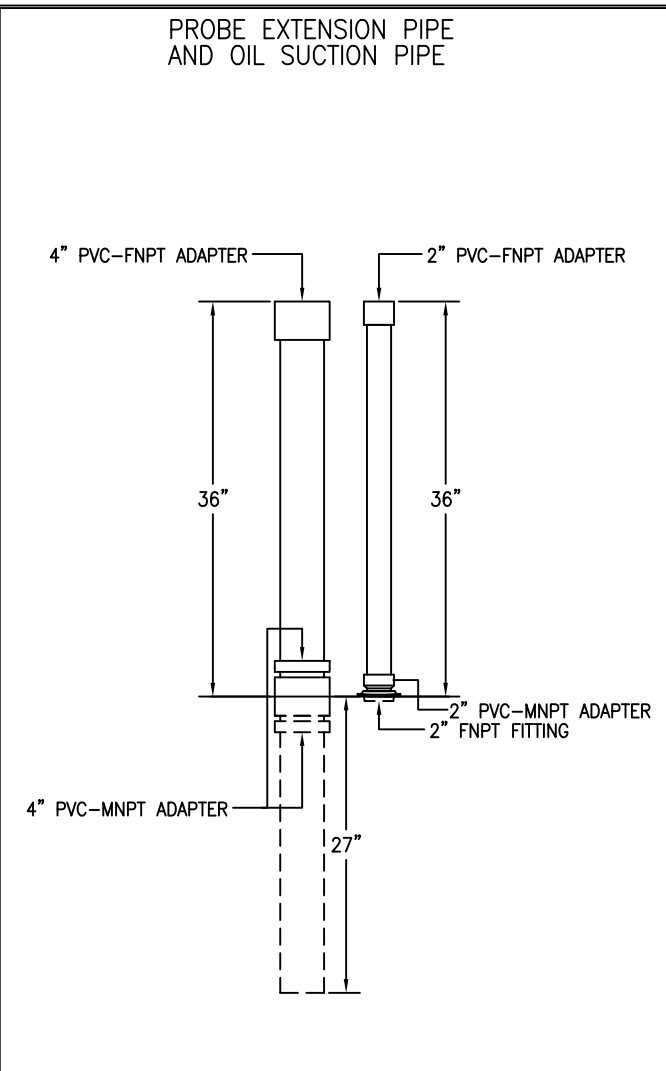
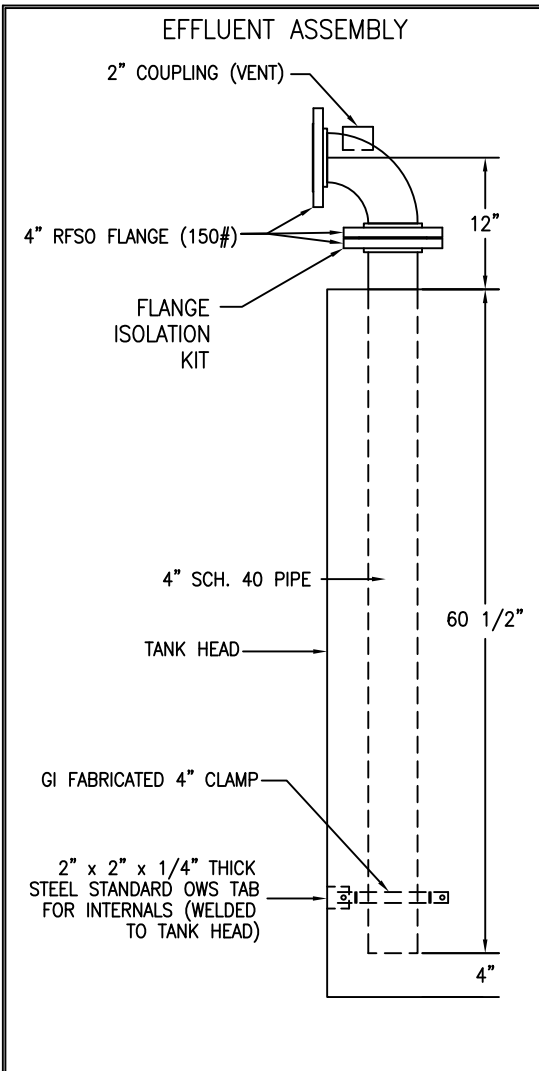


NOTES:

- 1) 1/4" THICK STRIKER PLATES INSTALLED ON THE TANK INTERIOR BOTTOM UNDER EACH OPENING IN ACCORDANCE WITH STEEL TANK INSTITUTE
- 2) ALL OPENINGS INSTALLED WITH DI-ELECTRIC BUSHINGS OR SPOOL FLANGES AND FLANGE ISOLATION KITS IN ACCORDANCE WITH STEEL TANK INSTITUTE
- 3) THIS TANK DESIGNED FOR MINIMUM BURIAL DEPTH OF 5 FEET (GRADE TO TOP OF TANK) WITH APPROVED BACKFILL MATERIAL *****



| | | |
|--|--|---|
| 3,000 GALLON ACT-100U S/W 15PPM OIL WATER SEPARATOR | | CUSTOMER: |
| CUSTOMER APPROVAL SIGNATURE/DATE: | | PROJECT: |
| <p>SURFACE PREPARATION/COATING INFORMATION:</p> <p>INTERIOR SURFACES: N/A</p> <p>EXTERIOR SURFACES: SSPC-SP-6 COMMERCIAL BLAST CLEAN 70 mils STEEL INSTITUTE APPROVED POLYURETHANE COATING</p> | | AGENT: |
| <p>MATERIAL /CONSTRUCTION/ LABELING INFORMATION:</p> <p>MATERIAL: CARBON STEEL ASTM A 36 OR ASTM A 569</p> <p>MATERIAL THICKNESS: PRIMARY TANK: ROARK MIN. 0.1369 PRIMARY HEADS: 7 GA</p> | | <p>GENERAL INDUSTRIES BUILDING TANKS TO PROTECT OUR ENVIRONMENT</p> <p>P.O. BOX 1279 GOLDSBORO, NC 27533 PHONE: (919)751-1791 FAX: (919)751-8186</p> |
| <p>QUANTITY: ONE (1) REQUIRED</p> <p>WEIGHT: 4,500 lbs ± 10%</p> | | |
| <p>LABELING/MARKING: UNDERWRITERS LABORATORIES UL-58/ STEEL TANK INSTITUTE ACT100-U</p> | | <p>DRAWING NUMBER: G10WS03KU15</p> <p>REVISED 11/08</p> |



CUSTOMER APPROVAL SIGNATURE/DATE:

INFLUENT, EFFLUENT AND PROBE EXTENSION DETAILS

SURFACE PREPARATION/COATING INFORMATION:

MATERIAL /CONSTRUCTION/ LABELING INFORMATION:

CUSTOMER:
PROJECT:
AGENT:

GENERAL INDUSTRIES
BUILDING TANKS TO PROTECT
OUR ENVIRONMENT

P.O. BOX 1279 GOLDSBORO, NC 27533
PHONE: (919)751-1791 FAX: (919)751-8186

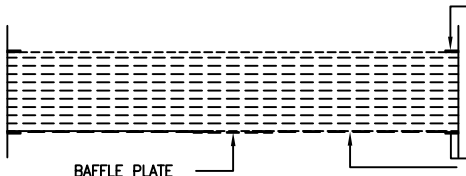
DRAWING NUMBER: **GIOWS03KU15** REVISED 11/08

EFFLUENT SIDE CLIPS WELDED TO TANK SHELL SO BACK OF BRENTWOOD INDUSTRIES ACCUPAC PVC PARALLEL PLATE PACK "BLOCKS" ARE AT THE CENTERLINE OF THE TANK.

STAINLESS STEEL WIRE BETWEEN EACH PAIR OF CLIPS WILL HOLD THE ACCUPACK BLOCKS IN PLACE ON THE EFFLUENT SIDE.

OWS INTERNALS STANDARD TAB/CLIP

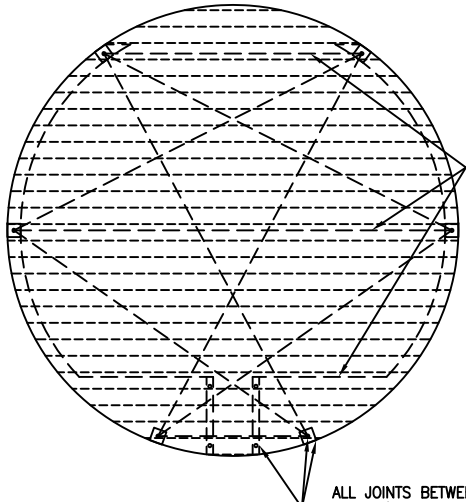
SIDE PLATES INSTALLED IN FRONT OF ACCUPACK BLOCKS AND CLIPS WELDED TO TANK SHELL. INFLUENT SIDE CLIPS SCREWED TO SIDE PLATES WITH STAINLESS STEEL SELF TAPPING SCREWS.



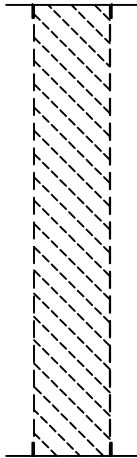
BAFFLE PLATE

10 GA SIDE PLATE

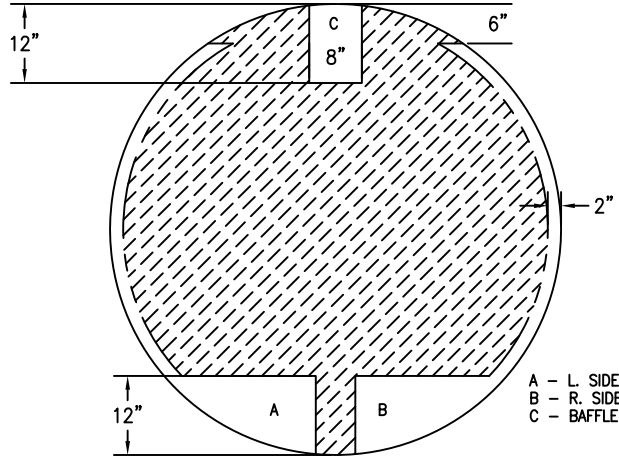
12" TALL x 8" WIDE 10 GA BAFFLE PLATE SCREWED TO SIDE PLATES WITH STAINLESS STEEL SELF TAPPING SCREWS.



SS WIRE



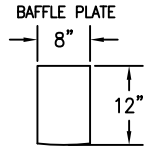
ALL JOINTS BETWEEN PLATES AND SHELL AND ALL SCREW/BOLT LOCATIONS TO HAVE HEAVY DUTY WATERPROOF CHEMICAL RESISTANT CAULKING LIBERALLY APPLIED



A - L. SIDE PLATE
B - R. SIDE PLATE
C - BAFFLE PLATE

CUT

64 1/2" ϕ x 10 GA BLANK



BAFFLE PLATE

8"

12"

CUSTOMER APPROVAL SIGNATURE/DATE:

PARALLEL PLATE PACK COALESCER ASSEMBLY DETAILS

SURFACE PREPARATION/COATING INFORMATION:

MATERIAL /CONSTRUCTION/ LABELING INFORMATION:

CUSTOMER:
PROJECT:
AGENT:



P.O. BOX 1279 GOLDSBORO, NC 27533
PHONE: (919)751-1791 FAX: (919)751-8186

DRAWING NUMBER: GOWS03KU15 REVISED 11/08