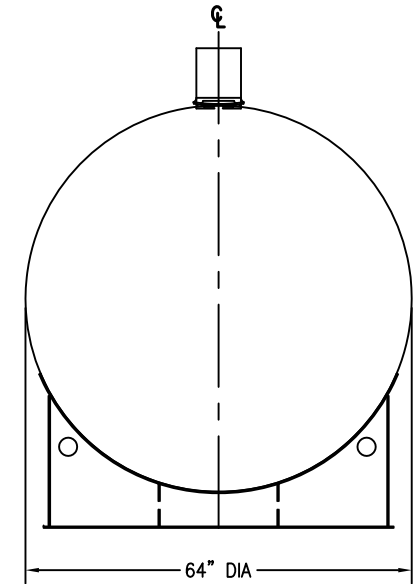
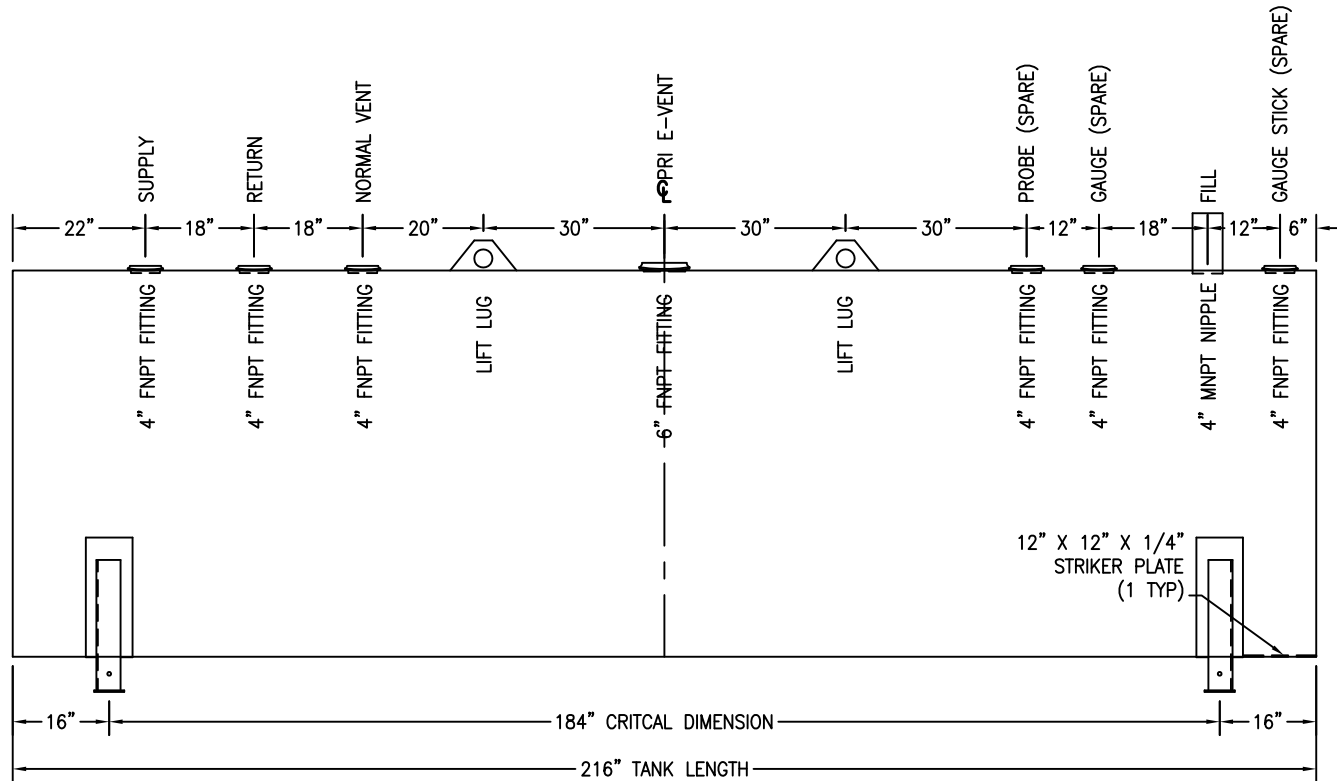


*SADDLES ARE SEAL WELDED TO TANK



CUSTOMER APPROVAL SIGNATURE/DATE:

3,000 GALLON HORIZONTAL S/W ABOVE GROUND TANK

SURFACE PREPARATION/COATING INFORMATION:
 INTERIOR SURFACES: N/A
 EXTERIOR SURFACES: SSPC-SP-6 COMMERCIAL BLAST CLEAN
 ONE COAT PRIMER

MATERIAL /CONSTRUCTION/ LABELING INFORMATION:
 MATERIAL: CARBON STEEL ASTM A 36 OR A 569
 MATERIAL THICKNESS: PRIMARY TANK SHELL AND HEADS: 7 GA

LABELING/MARKING: UNDERWRITERS LABORATORIES UL-142

CUSTOMER:
 PROJECT:
 AGENT:



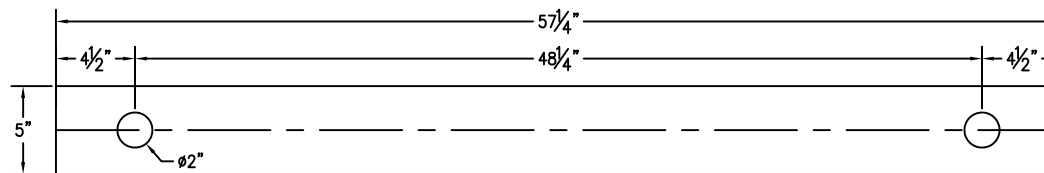
P.O. BOX 1279 GOLDSBORO, NC 27533
 PHONE: (919)751-1791 FAX: (919)751-8186

DRAWING NUMBER: GIH03K64 REVISED 10/08

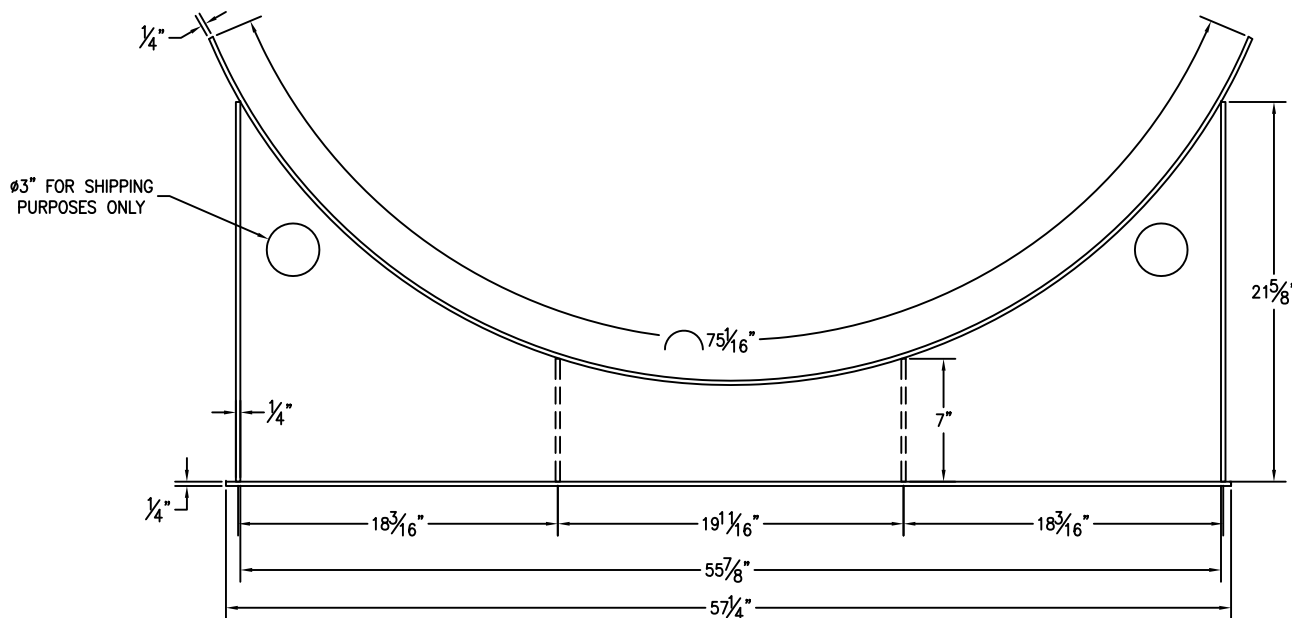
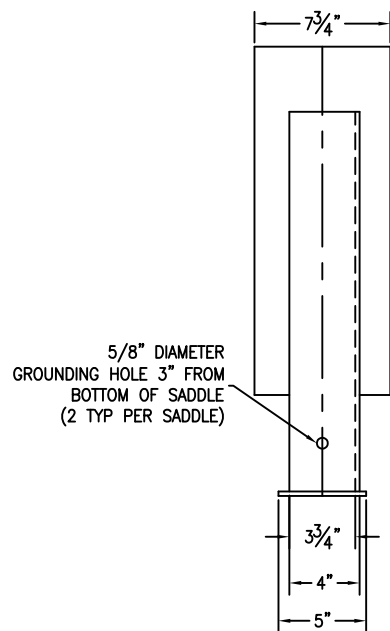
QUANTITY: ONE (1) REQUIRED
 WEIGHT: 3,750 lbs ± 10%



Underwriters
Laboratories Inc.
LISTED ®



BASE PLATE ANCHOR HOLE DETAIL



CUSTOMER APPROVAL SIGNATURE/DATE:

3,000 GAL 6" TALL SADDLE FOR 64" DIAMETER TANK

SURFACE PREPARATION/COATING INFORMATION:
 INTERIOR SURFACES: N/A
 EXTERIOR SURFACES: SSPC-SP-6 COMMERCIAL BLAST CLEAN
 ONE COAT PRIMER

MATERIAL /CONSTRUCTION/ LABELING INFORMATION:
 MATERIAL: CARBON STEEL ASTM A 36 OR A 569

CUSTOMER:

PROJECT:

AGENT:



P.O. BOX 1279 GOLDSBORO, NC 27533
 PHONE: (919)751-1791 FAX: (919)751-8186

DRAWING NUMBER: GI-S606403

REVISED 10/08

QUANTITY: TWO (2) REQUIRED
 WEIGHT: 140 lb ea ± 10%