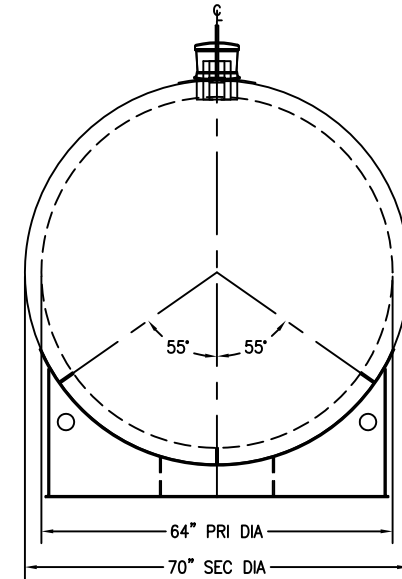
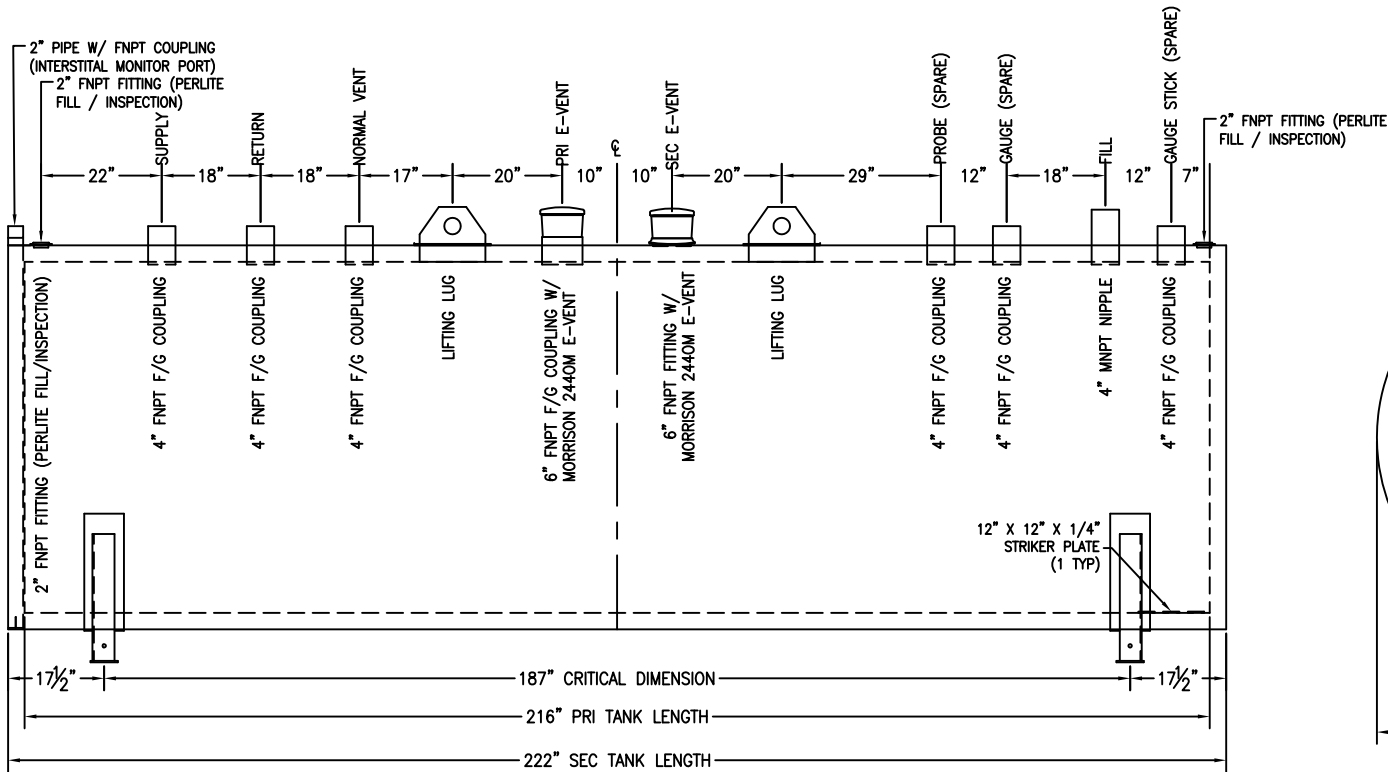


*SADDLES ARE SEAL WELDED TO TANK



CUSTOMER APPROVAL SIGNATURE/DATE:

3,000 GALLON THERMALLY INSULATED (FIREGUARD) STORAGE TANK

SURFACE PREPARATION/COATING INFORMATION:

INTERIOR SURFACES: N/A
 EXTERIOR SURFACES: SSPC-SP-6 COMMERCIAL BLAST
 FINISH PAINT WHITE

MATERIAL /CONSTRUCTION/ LABELING INFORMATION:

MATERIAL: CARBON STEEL ASTM A 36 OR A 569
 MATERIAL THICKNESS: PRIMARY TANK: 7 GA
 SECONDARY TANK: 7 GA

LABELING/MARKING: UNDERWRITERS LABORATORIES UL-2085
 / STEEL TANK INSTITUTE FIREGUARD

CUSTOMER:

PROJECT:

AGENT:



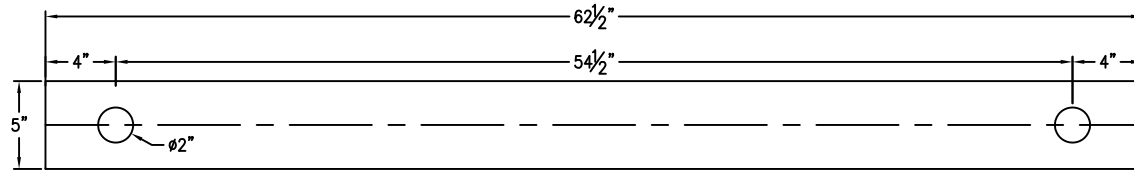
P.O. BOX 1279 GOLDSBORO, NC 27533
 PHONE: (919)751-1791 FAX: (919)751-8186

DRAWING NUMBER: GIFG03K64

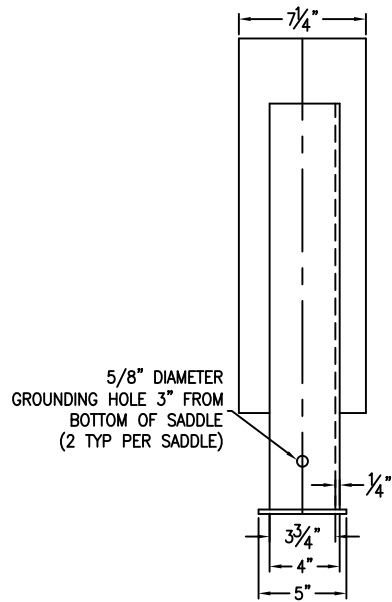
REVISED 8/08

QUANTITY: ONE (1) REQUIRED
 WEIGHT: 10,500 lbs ± 10%

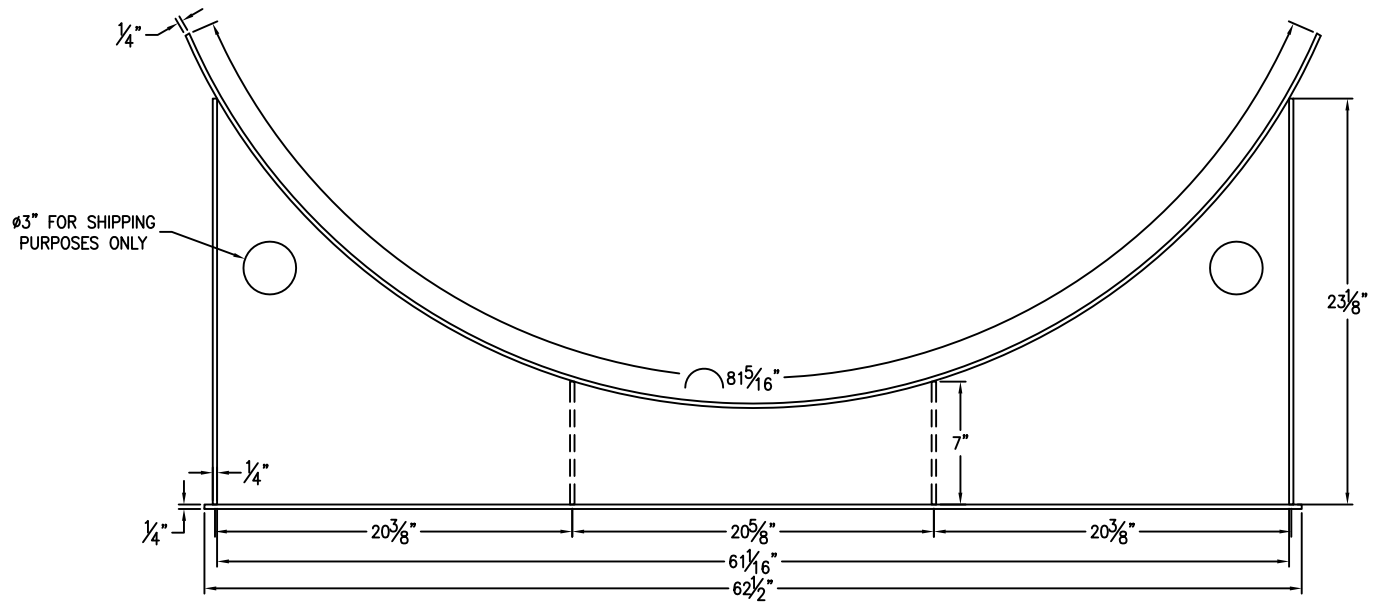
*SADDLES ARE SEAL WELDED TO TANK



BASE PLATE ANCHOR HOLE DETAIL



5/8" DIAMETER
GROUNDING HOLE 3" FROM
BOTTOM OF SADDLE
(2 TYP PER SADDLE)



3" FOR SHIPPING
PURPOSES ONLY

CUSTOMER APPROVAL SIGNATURE/DATE:

3,000 GAL 6" TALL SADDLE FOR 70" DIAMETER FIREGUARD TANK

SURFACE PREPARATION/COATING INFORMATION:
 INTERIOR SURFACES: N/A
 EXTERIOR SURFACES: SSPC-SP-6 COMMERCIAL BLAST CLEAN
 FINISH PAINT WHITE

MATERIAL /CONSTRUCTION/ LABELING INFORMATION:
 MATERIAL: CARBON STEEL ASTM A 36 OR A 569

CUSTOMER:
 PROJECT:
 AGENT:



P.O. BOX 1279 GOLDSBORO, NC 27533
 PHONE: (919)751-1791 FAX: (919)751-8186

DRAWING NUMBER: GI-S6F7003 REVISED 8/08

QUANTITY: TWO (2) REQUIRED
 WEIGHT: 154 lbs ea ± 10%