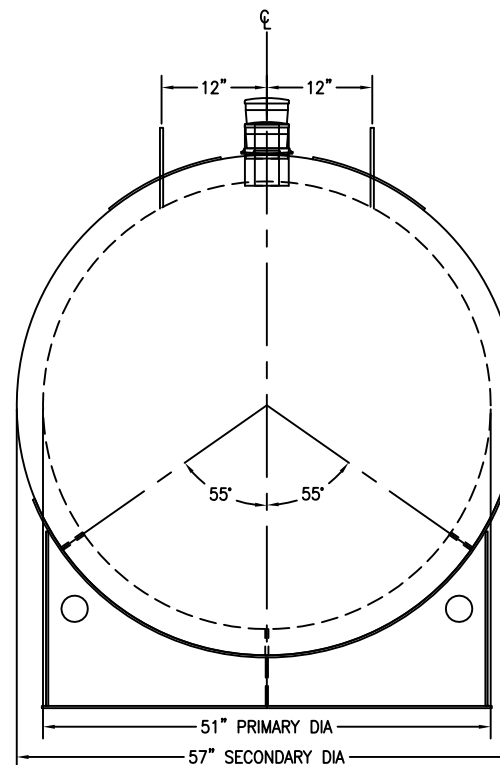
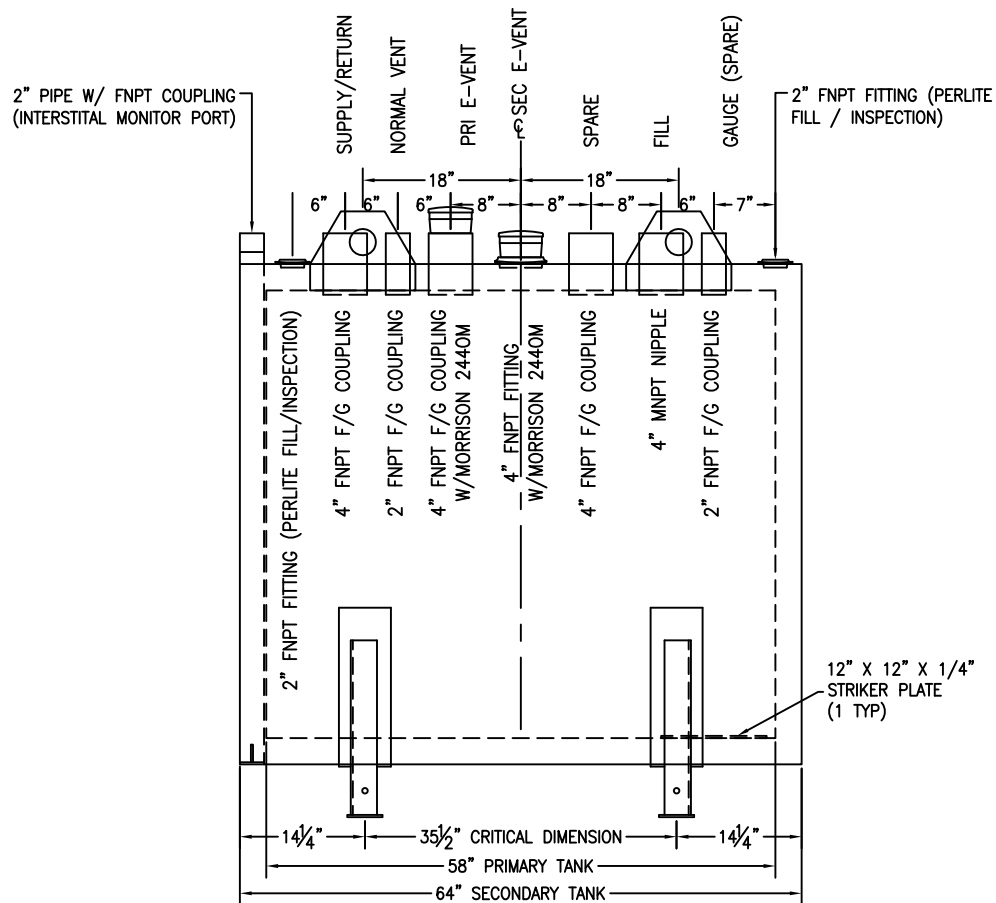


*SADDLES ARE SEAL WELDED TO TANK



CUSTOMER APPROVAL SIGNATURE/DATE:

500 GALLON THERMALLY INSULATED (FIREGUARD) STORAGE TANK

SURFACE PREPARATION/COATING INFORMATION:
 INTERIOR SURFACES: N/A
 EXTERIOR SURFACES: SSPC-SP-6 COMMERCIAL BLAST
 FINISH PAINT WHITE

MATERIAL /CONSTRUCTION/ LABELING INFORMATION:
 MATERIAL: CARBON STEEL ASTM A 36 OR A569
 MATERIAL THICKNESS: PRIMARY TANK: 10 GA
 SECONDARY TANK: 10 GA

CUSTOMER:
 PROJECT:
 AGENT:



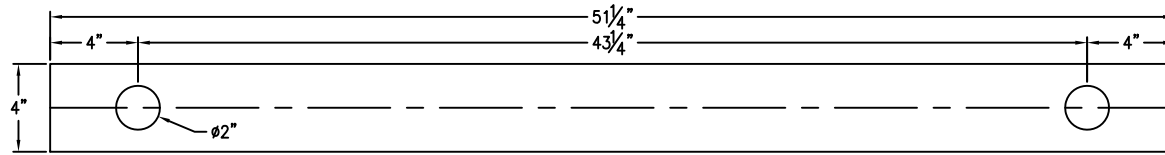
P.O. BOX 1279 GOLDSBORO, NC 27533
 PHONE: (919)751-1791 FAX: (919)751-8186

DRAWING NUMBER: GFG50057 REVISED 8/08

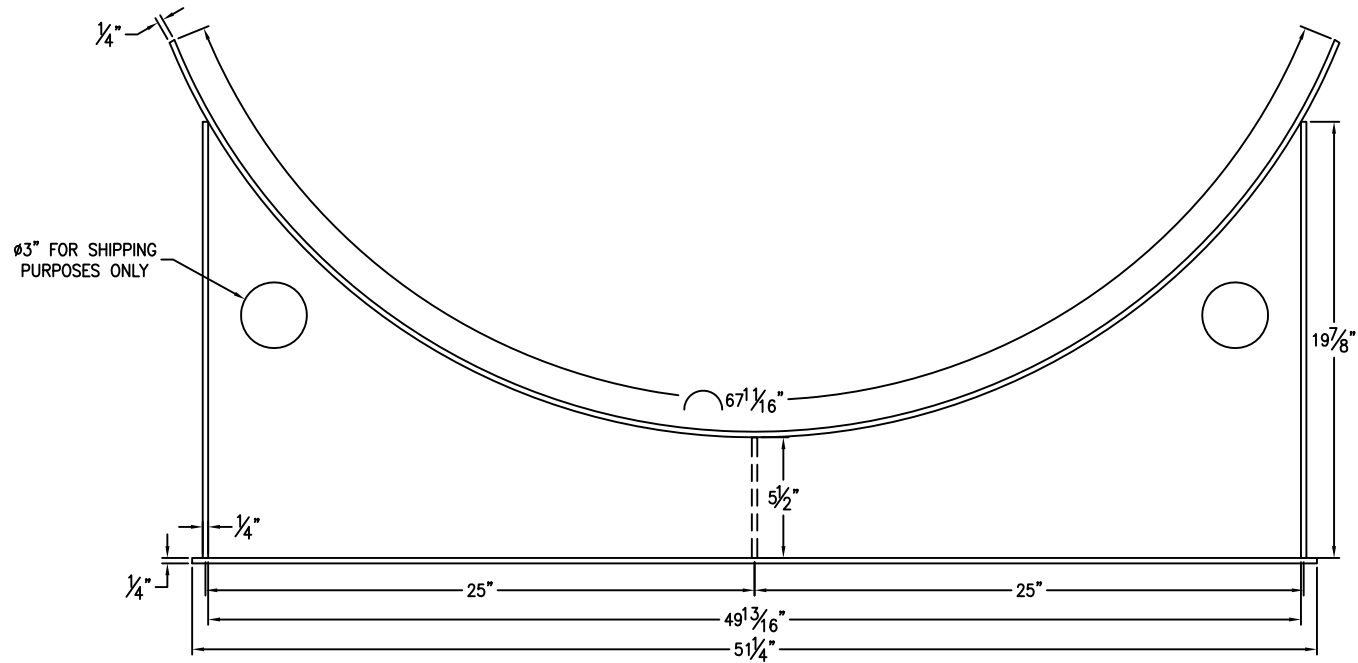
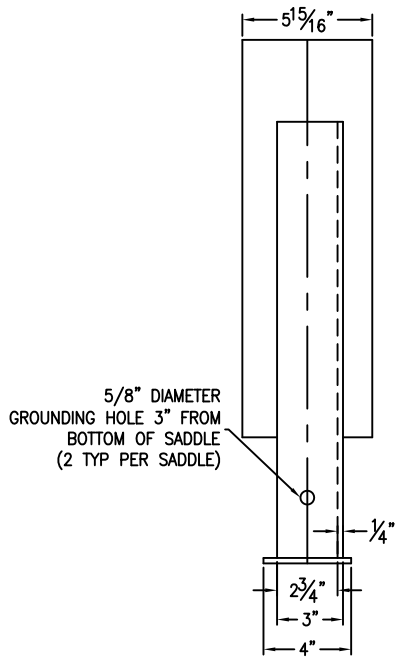
QUANTITY: ONE (1) REQUIRED
 WEIGHT: 3,500 lbs ± 10%

LABELING/MARKING: UNDERWRITERS LABORATORIES UL-2085
 / STEEL TANK INSTITUTE FIREGUARD

*SADDLES ARE SEAL WELDED TO TANK



BASE PLATE ANCHOR HOLE DETAIL



CUSTOMER APPROVAL SIGNATURE/DATE:

500 GAL 6" TALL SADDLE FOR 57" DIAMETER FIREGUARD TANK

SURFACE PREPARATION/COATING INFORMATION:

INTERIOR SURFACES: N/A
 EXTERIOR SURFACES: SSPC-SP-6 COMMERCIAL BLAST CLEAN
 FINISH PAINT WHITE

MATERIAL /CONSTRUCTION/ LABELING INFORMATION:

MATERIAL: CARBON STEEL ASTM A 36 OR A 569

CUSTOMER:

PROJECT:

AGENT:



P.O. BOX 1279 GOLDSBORO, NC 27533
 PHONE: (919)751-1791 FAX: (919)751-8186

DRAWING NUMBER:
 GI-S6F57500

REVISED 8/08

QUANTITY: TWO (2) REQUIRED
 WEIGHT: 115 lbs ea ± 10%