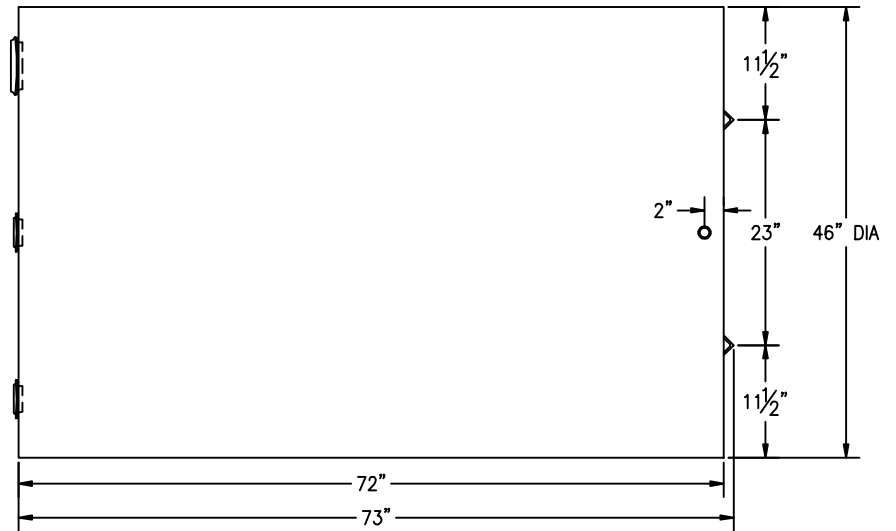
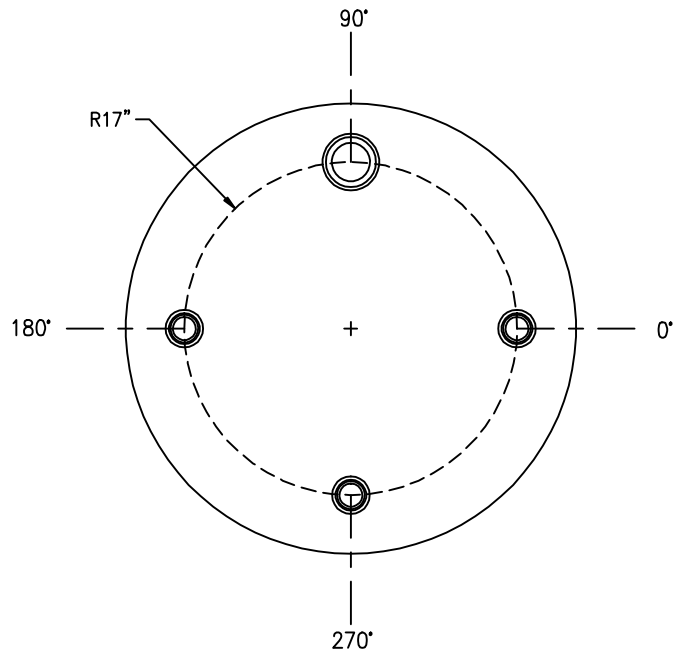




ANGLE:	LOCATION:	DESCRIPTION:
0°	SHELL, UP 2"	3/4" FNPT COUPLING
0°	TOP, 17" RADIUS	2" FNPT FITTING
90°	TOP, 17" RADIUS	4" FNPT FITTING (EMERGENCY VENT)
180°	TOP, 17" RADIUS	2" FNPT FITTING
270°	TOP, 17" RADIUS	2" FNPT FITTING

ALL BOLT HOLES TO STRADDLE MAJOR CENTERLINES OR THEIR PARALLELS  
 STANDARD LAP/OFFSET WELD CONSTRUCTION TO UL-142 STANDARDS AND SPECIFICATIONS



CUSTOMER APPROVAL SIGNATURE/DATE:

**500 GALLON VERTICAL SW ABOVE GROUND TANK**

**SURFACE PREPARATION/COATING INFORMATION:**

INTERIOR SURFACES:  
 N/A

EXTERIOR SURFACES:  
 SSPC-SP-6 COMMERCIAL BLAST CLEAN  
 ONE COAT PRIMER  
 BLACK ASPHALTUM PAINT ON EXTERIOR BOTTOM

**MATERIAL /CONSTRUCTION/ LABELING INFORMATION:**

MATERIAL: CARBON STEEL (ASTM A 36, ASTM A 635 OR ASTM A 569)  
 MATERIAL THICKNESS: PRIMARY TANK: SHELL 12 GA BOTTOM 12 GA TOP 12 GA

CONSTRUCTION IN ACCORDANCE WITH UNDERWRITERS LABORATORIES UL-142 STANDARDS FOR STEEL ABOVEGROUND TANKS FOR FLAMMABLE AND COMBUSTIBLE LIQUIDS

LABELING/MARKING: UNDERWRITERS LABORATORIES UL-142 / GENERAL INDUSTRIES NAMEPLATE

QUANTITY: ONE (1) REQUIRED  
 WEIGHT: 700 lbs ± 5%

CUSTOMER:

PROJECT:

AGENT:

P.O. BOX 1279 GOLDSBORO, NC 27533  
 PHONE: (919)751-1781 FAX: (919)751-8186  
 DRAWING NUMBER: