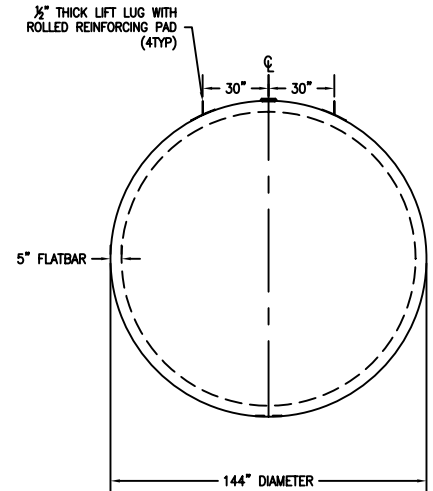
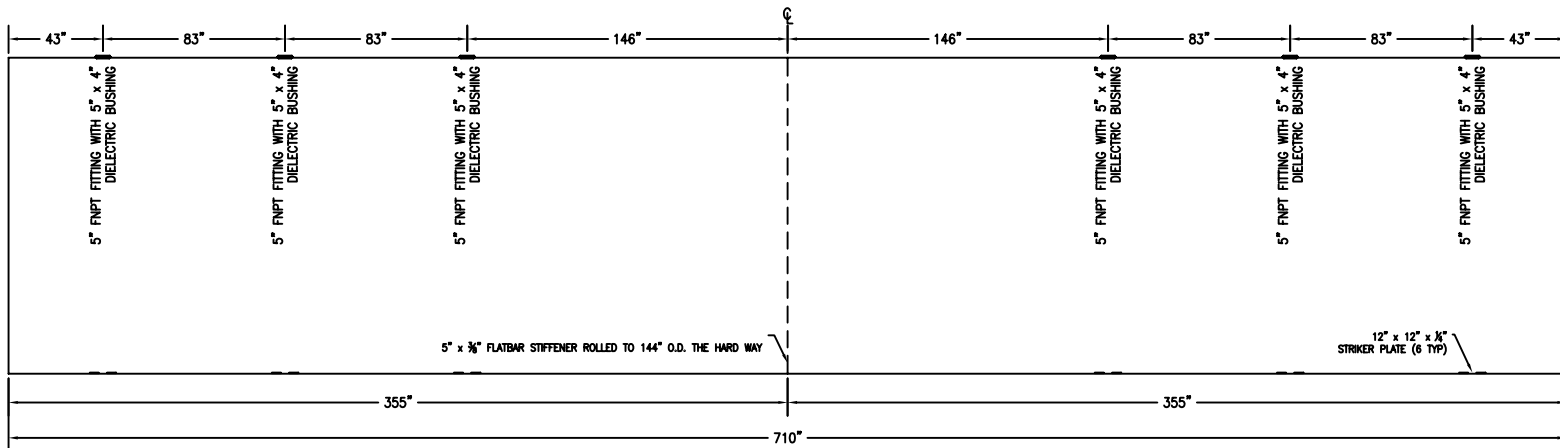


NOTES:

- 1) 1/4" THICK STRIKER PLATES INSTALLED ON THE TANK INTERIOR BOTTOM UNDER EACH OPENING IN ACCORDANCE WITH STEEL TANK INSTITUTE.
- 2) ALL OPENINGS INSTALLED WITH DI-ELECTRIC BUSHINGS OR SPOOL FLANGES AND FLANGE ISOLATION KITS IN ACCORDANCE WITH STEEL TANK INSTITUTE.
- 3) THIS TANK DESIGNED FOR MAXIMUM BURIAL DEPTH OF 5 FEET (GRADE TO TOP OF TANK) WITH APPROVED BACKFILL MATERIAL.



LIFT LUGS OFFSET  
30" FROM CENTERLINE



CUSTOMER APPROVAL SIGNATURE/DATE:

50,000 GALLON ACT-100U S/W UNDER GROUND TANK

**SURFACE PREPARATION/COATING INFORMATION:**  
 INTERIOR SURFACES: N/A  
 EXTERIOR SURFACES: SSPC-SP-6 COMMERCIAL BLAST CLEAN  
 70 mils STEEL INSTITUTE APPROVED POLYURETHANE COATING

**MATERIAL /CONSTRUCTION/ LABELING INFORMATION:**  
 MATERIAL: CARBON STEEL (ASTM A 36, ASTM A 635 OR ASTM A 569)  
 MATERIAL THICKNESS: PRIMARY TANK: 3/8" (ROARK MINIMUM .3315 W/STIFFENER)  
 PRIMARY HEAD: 5/16"  
 CONSTRUCTION IN ACCORDANCE WITH UNDERWRITERS LABORATORIES UL-58 STANDARD FOR STEEL UNDERGROUND TANKS FOR FLAMMABLE AND COMBUSTIBLE LIQUIDS AND STEEL TANK INSTITUTE ACT100-U SPECIFICATION FOR EXTERNAL CORROSION PROTECTION OF FRP COMPOSITE STEEL UNDERGROUND STORAGE TANKS  
 LABELING/MARKING: UNDERWRITERS LABORATORIES UL-58/ STEEL TANK INSTITUTE  
 ACT100-U / G.I. NAMEPLATE

CUSTOMER:  
 PROJECT:  
 AGENT:

P.O. BOX 1279 GOLDSBORO, NC 27533  
 PHONE: (919)751-1791 FAX: (919)751-8186  
 DRAWING NUMBER:

QUANTITY: ONE (1) REQUIRED  
 WEIGHT: 40,500 lbs ± 5%