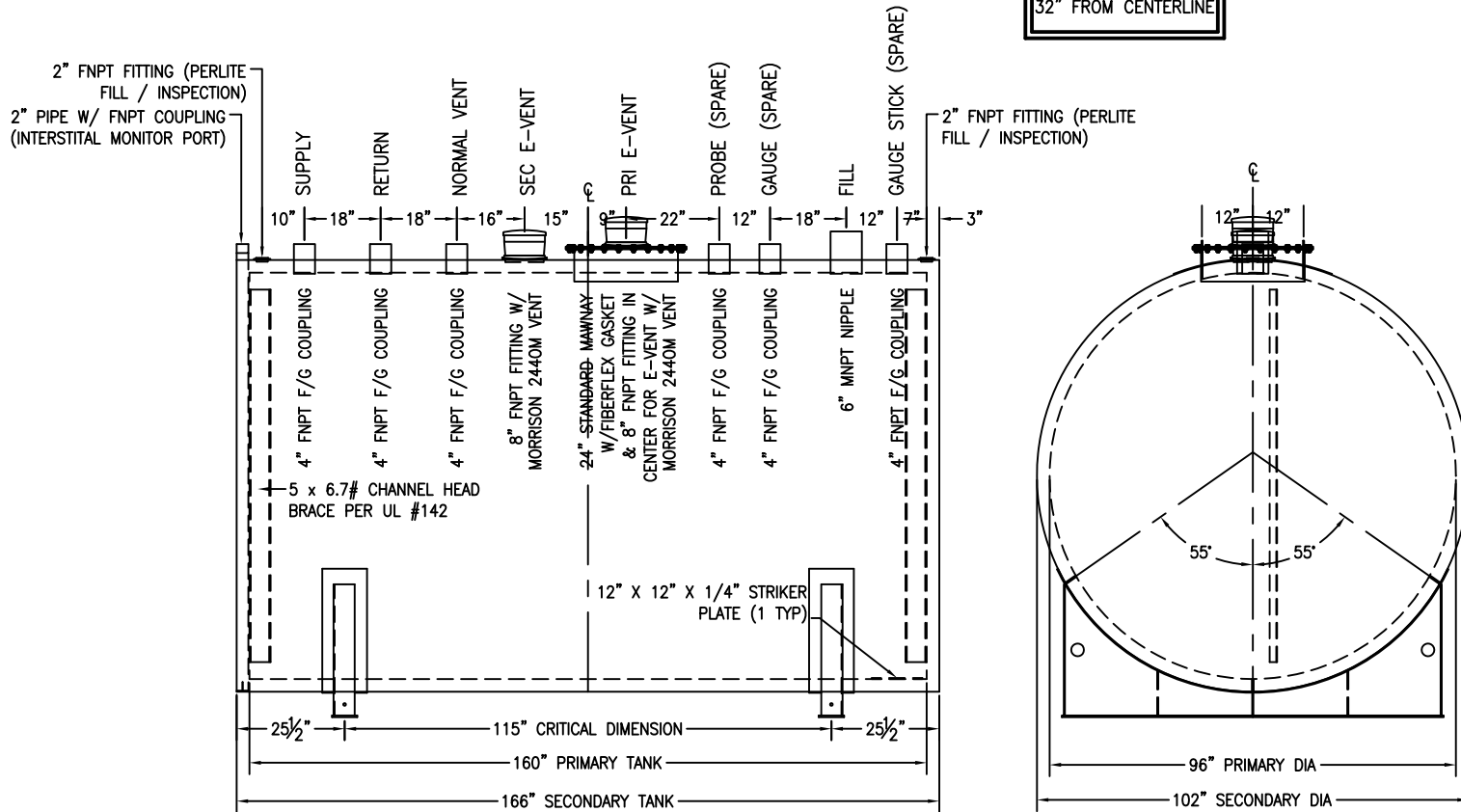


*SADDLES ARE SEAL WELDED TO TANK



LIFT LUGS OFFSET
32" FROM CENTERLINE



CUSTOMER APPROVAL SIGNATURE/DATE:

5,000 GALLON THERMALLY INSULATED (FIREGUARD) STORAGE TANK

SURFACE PREPARATION/COATING INFORMATION:

INTERIOR SURFACES: N/A
EXTERIOR SURFACES: SSPC-SP-6 COMMERCIAL BLAST
FINISH PAINT WHITE

MATERIAL /CONSTRUCTION/ LABELING INFORMATION:

MATERIAL: CARBON STEEL ASTM A 36 OR A 569
MATERIAL THICKNESS: PRIMARY TANK: 1/4" PRIMARY HEADS: 1/4"
SECONDARY TANK: 1/4" PRIMARY HEADS: 5/16"

LABELING/MARKING: UNDERWRITERS LABORATORIES UL-2085
/ STEEL TANK INSTITUTE FIREGUARD

CUSTOMER:

PROJECT:

AGENT:



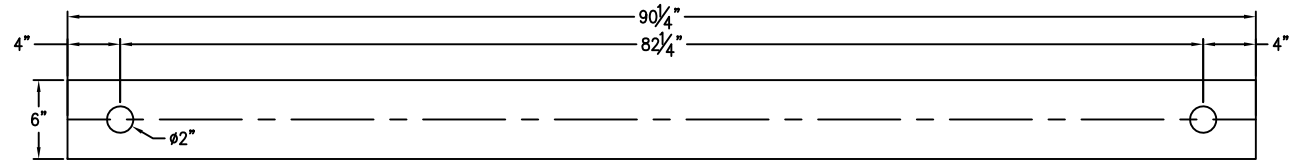
P.O. BOX 1279 GOLDSBORO, NC 27533
PHONE: (919)751-1791 FAX: (919)751-8186

DRAWING NUMBER: GIFG05K96

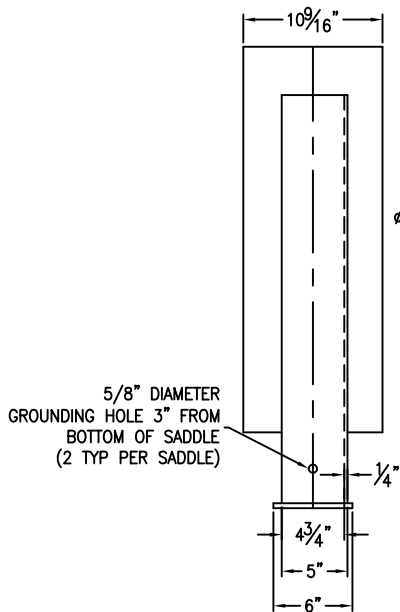
REVISED 8/08

QUANTITY: ONE (1) REQUIRED
WEIGHT: 16,250 lbs ± 10%

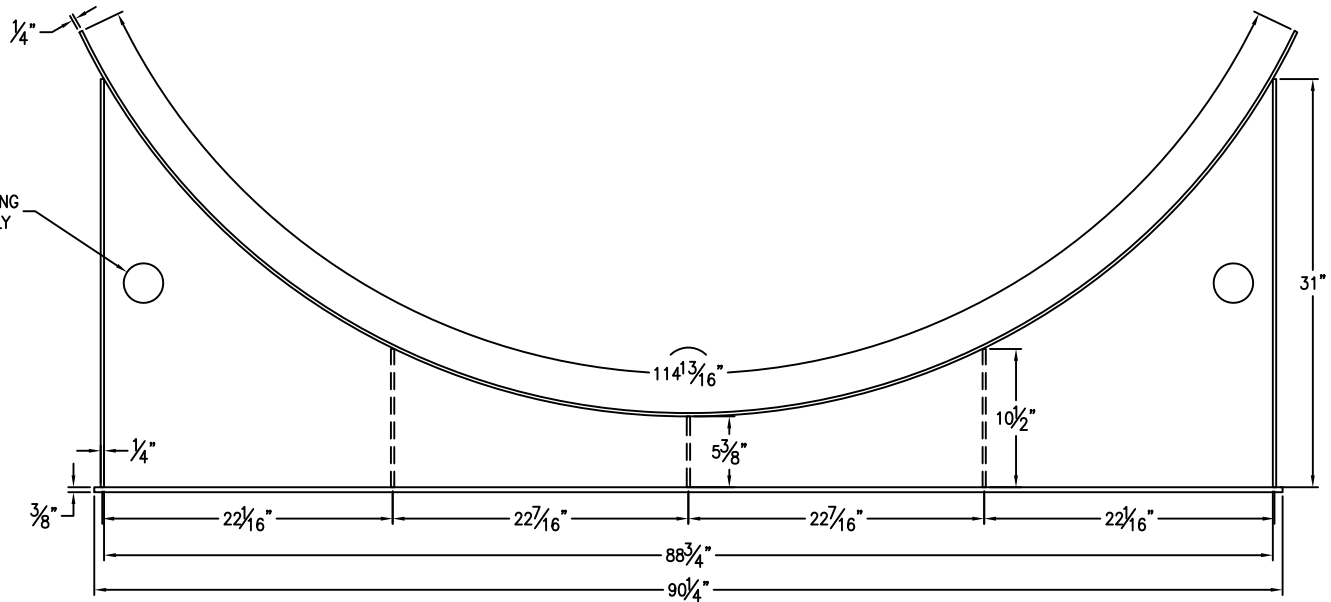
*SADDLES ARE SEAL WELDED TO TANK



BASE PLATE ANCHOR HOLE DETAIL



Ø3" FOR SHIPPING PURPOSES ONLY



CUSTOMER APPROVAL SIGNATURE/DATE:

5,000 GAL 6" TALL SADDLE FOR 102" DIAMETER FIREGUARD TANK

SURFACE PREPARATION/COATING INFORMATION:

INTERIOR SURFACES: N/A
 EXTERIOR SURFACES: SSPC-SP-6 COMMERCIAL BLAST CLEAN
 FINISH PAINT WHITE

MATERIAL /CONSTRUCTION/ LABELING INFORMATION:

MATERIAL: CARBON STEEL ASTM A 36 OR A 569

CUSTOMER:

PROJECT:

AGENT:



P.O. BOX 1279 GOLDSBORO, NC 27533
 PHONE: (919)751-1791 FAX: (919)751-8186

DRAWING NUMBER: GI-S6F10205

REVISED 8/08

QUANTITY: TWO (2) REQUIRED
 WEIGHT: 301 lbs ea ± 10%