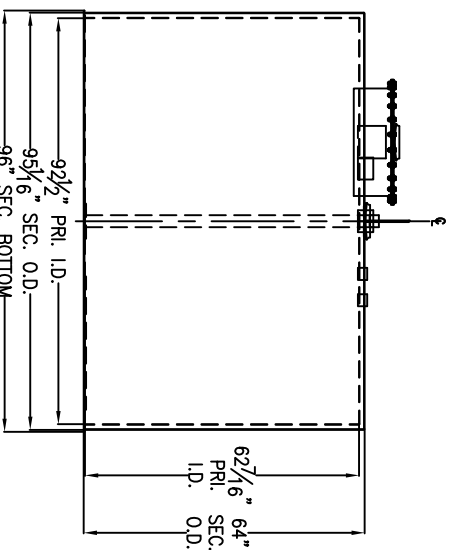
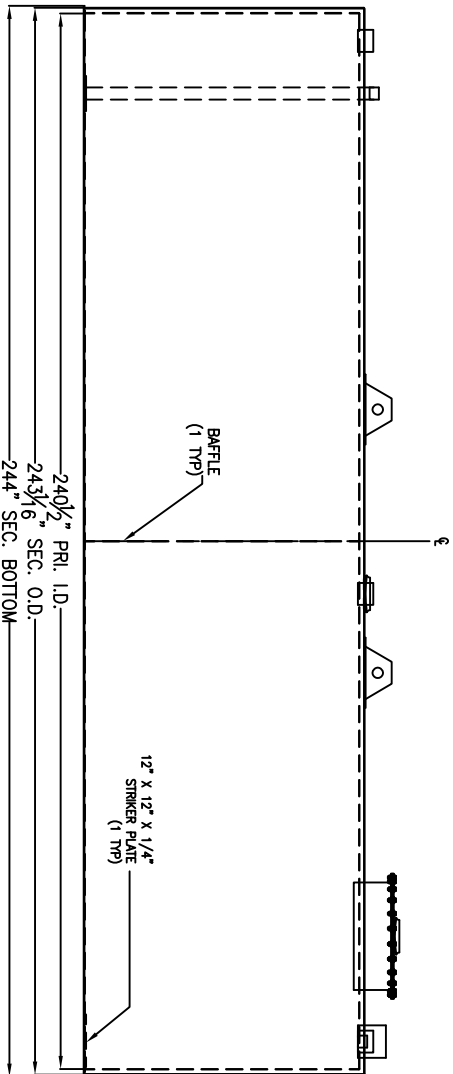


- A - 2" SCH 40 PIPE W/ 2" FNPT COUPLING AND 8" X 8" X 1/4" PLATE (INTERSTITIAL MONITOR / LEAK DETECTOR)
- B - 4" FNPT COUPLING (NORMAL VENT)
- C - 4" FNPT COUPLING (SUPPLY)
- D - 4" FNPT COUPLING (RETURN)
- E - 24" STANDARD MANWAY W/ 6" FNPT FITTING (PRIMARY EMERGENCY VENT OPENING)
- F - 6" FNPT FITTING (SECONDARY EMERGENCY VENT OPENING)
- G - 4" FNPT COUPLING (GAUGE STICK)
- H - 4" FNPT COUPLING (GAUGE / SPARE)
- I - 6" MNPT NIPPLE (FILL)
- J - 4" FNPT COUPLING (PROBE)
- K - LIFT LUG



CUSTOMER APPROVAL SIGNATURE/DATE:

6,000 GALLON DW RECTANGULAR STORAGE TANK


CUSTOMER: _____ PROJECT: _____

QUANTITY: ONE (1) REQUIRED
WEIGHT: 9,500 lbs ± 10%

SURFACE PREPARATION/COATING INFORMATION:
 INTERIOR SURFACES: N/A
 EXTERIOR SURFACES: SSPC-SP-6 COMMERCIAL BLAST
 FINISH PAINT WHITE

MATERIAL /CONSTRUCTION/ LABELING INFORMATION:
 MATERIAL: CARBON STEEL ASTM A 36 OR ASTM A 569
 MATERIAL THICKNESS: PRIMARY TANK: 10 GA
 SECONDARY TANK: 7 GA

LABELING/MARKING: UNDERWRITERS LABORATORIES UL-142 / SMR / SRI F-921



GENERALS INDUSTRIES
 BUILDING TANKS PROJECT
 OIL TANKS DIVISION

P.O. BOX 1279 GOLDSBORO, NC 27533
 PHONE: (919) 751-1791 FAX: (919) 751-8188
 DRAWING NUMBER: _____