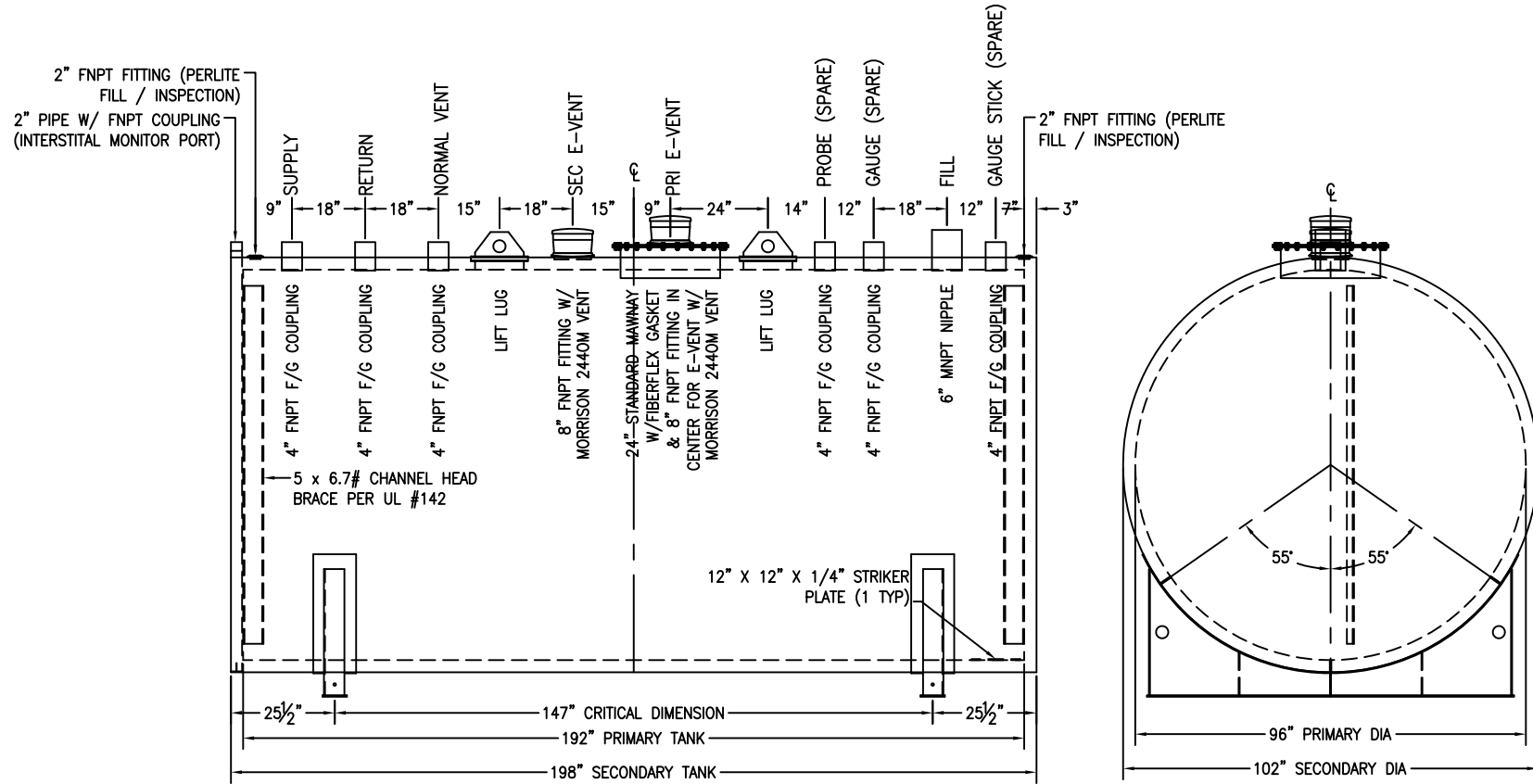


*SADDLES ARE SEAL WELDED TO TANK



CUSTOMER APPROVAL SIGNATURE/DATE:

6,000 GALLON THERMALLY INSULATED (FIREGUARD) STORAGE TANK

SURFACE PREPARATION/COATING INFORMATION:
 INTERIOR SURFACES: N/A
 EXTERIOR SURFACES: SSPC-SP-6 COMMERCIAL BLAST
 FINISH PAINT WHITE

MATERIAL /CONSTRUCTION/ LABELING INFORMATION:
 MATERIAL: CARBON STEEL ASTM A 36 OR A 569
 MATERIAL THICKNESS: PRIMARY TANK: 1/4" PRIMARY HEADS: 1/4"
 SECONDARY TANK: 1/4" PRIMARY HEADS: 5/16"

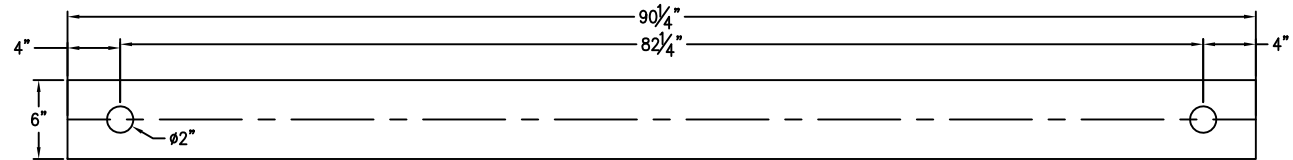
QUANTITY: ONE (1) REQUIRED
 WEIGHT: 18,250 lbs ± 10%

LABELING/MARKING: UNDERWRITERS LABORATORIES UL-2085
 / STEEL TANK INSTITUTE FIREGUARD

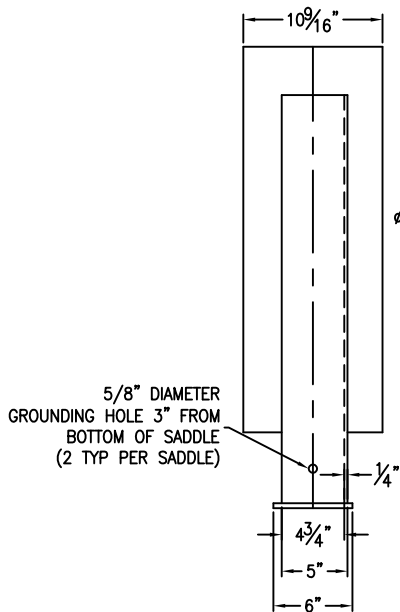
CUSTOMER:
 PROJECT:
 AGENT:

P.O. BOX 1279 GOLDSBORO, NC 27533
 PHONE: (919)751-1791 FAX: (919)751-8186
 DRAWING NUMBER: GIFG06K96 REVISED 8/08

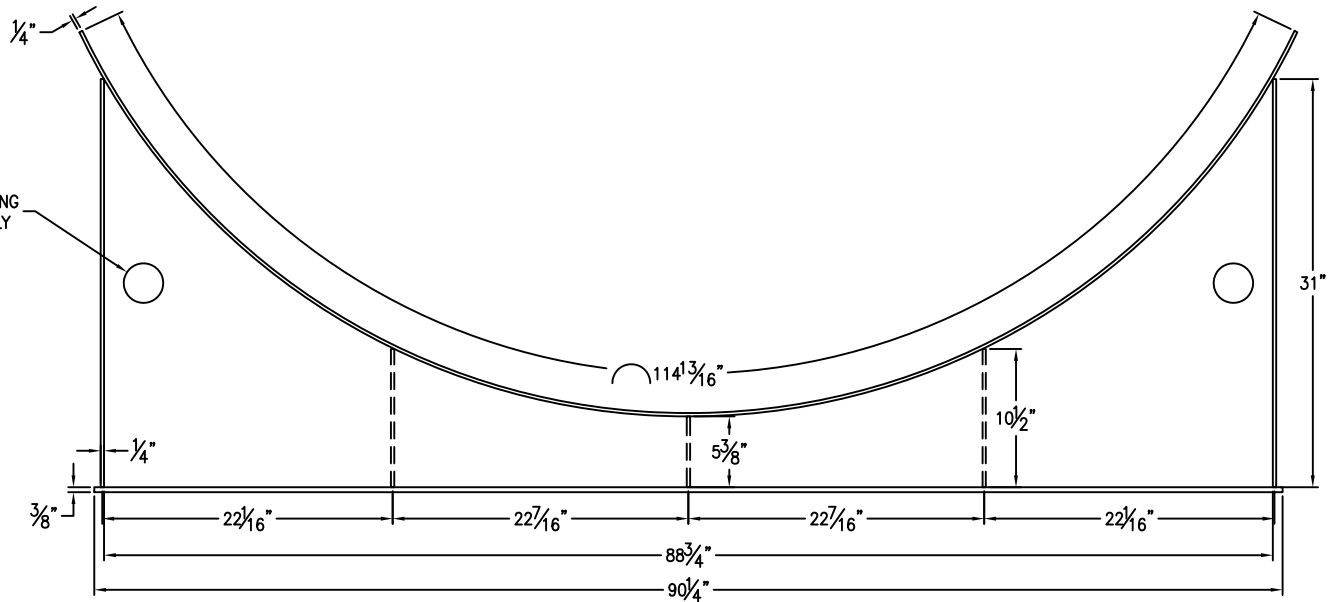
*SADDLES ARE SEAL WELDED TO TANK



BASE PLATE ANCHOR HOLE DETAIL



Ø3" FOR SHIPPING PURPOSES ONLY



CUSTOMER APPROVAL SIGNATURE/DATE:

6,000 GAL 6" TALL SADDLE FOR 102" DIAMETER FIREGUARD TANK

SURFACE PREPARATION/COATING INFORMATION:
 INTERIOR SURFACES: N/A
 EXTERIOR SURFACES: SSPC-SP-6 COMMERCIAL BLAST CLEAN
 FINISH PAINT WHITE

MATERIAL /CONSTRUCTION/ LABELING INFORMATION:
 MATERIAL: CARBON STEEL ASTM A 36 OR A 569

CUSTOMER:
 PROJECT:
 AGENT:



P.O. BOX 1279 GOLDSBORO, NC 27533
 PHONE: (919)751-1791 FAX: (919)751-8186

DRAWING NUMBER: GI-S6F10206 REVISED 8/08

QUANTITY: TWO (2) REQUIRED
 WEIGHT: 301 lbs ea ± 10%