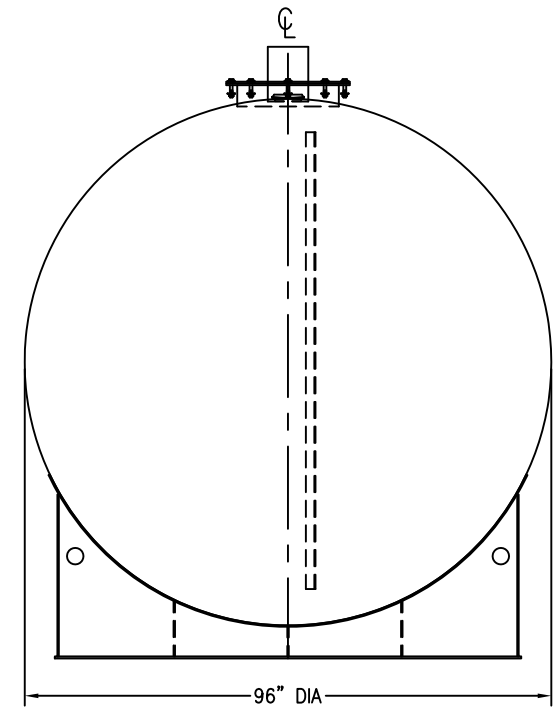
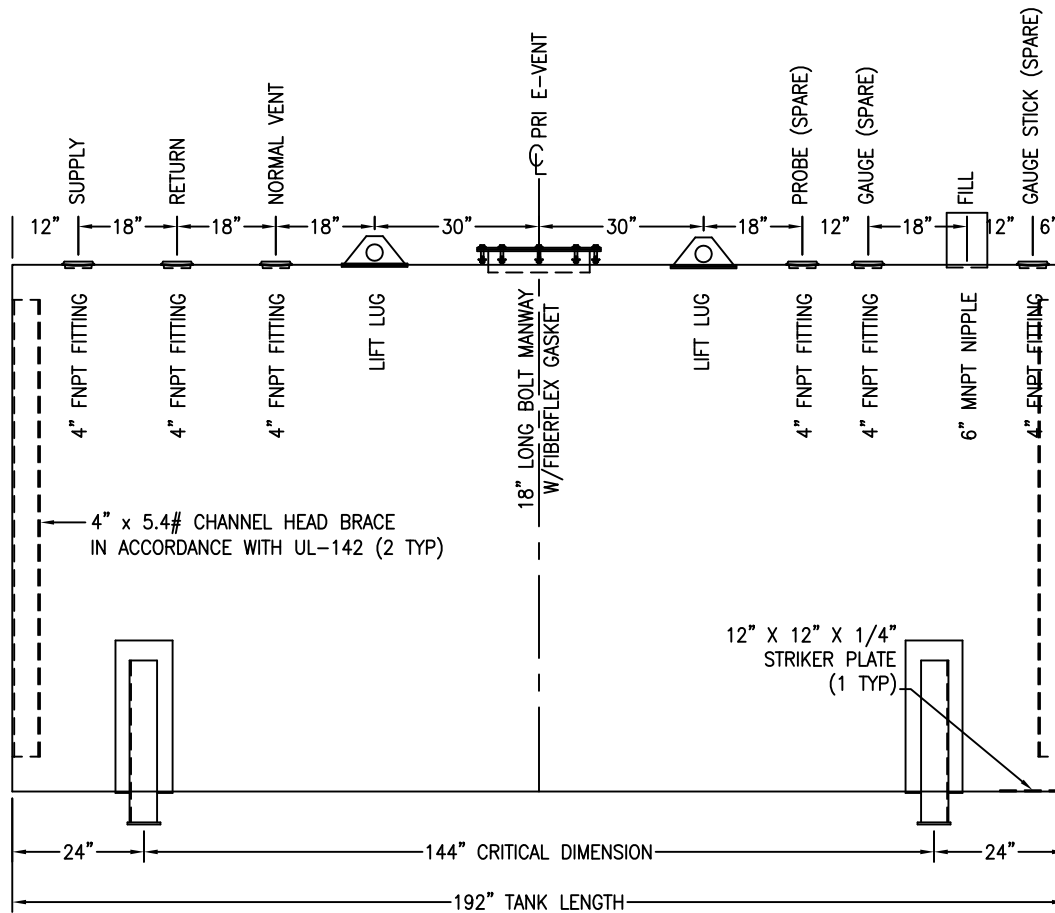


*SADDLES ARE SEAL WELDED TO TANK



CUSTOMER APPROVAL SIGNATURE/DATE:

6,000 GALLON HORIZONTAL S/W ABOVE GROUND TANK

SURFACE PREPARATION/COATING INFORMATION:

INTERIOR SURFACES: N/A
 EXTERIOR SURFACES: SSPC-SP-6 COMMERCIAL BLAST CLEAN
 ONE COAT PRIMER

MATERIAL /CONSTRUCTION/ LABELING INFORMATION:

MATERIAL: CARBON STEEL ASTM A 36 OR A 569
 MATERIAL THICKNESS: PRIMARY TANK SHELL AND HEADS: 1/4"

LABELING/MARKING: UNDERWRITERS LABORATORIES UL-142

CUSTOMER:

PROJECT:

AGENT:



P.O. BOX 1279 GOLDSBORO, NC 27533
 PHONE: (919)751-1791 FAX: (919)751-8186

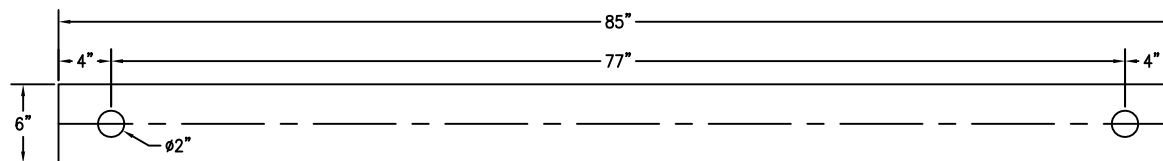
DRAWING NUMBER: GIH06K96

REVISED 10/08

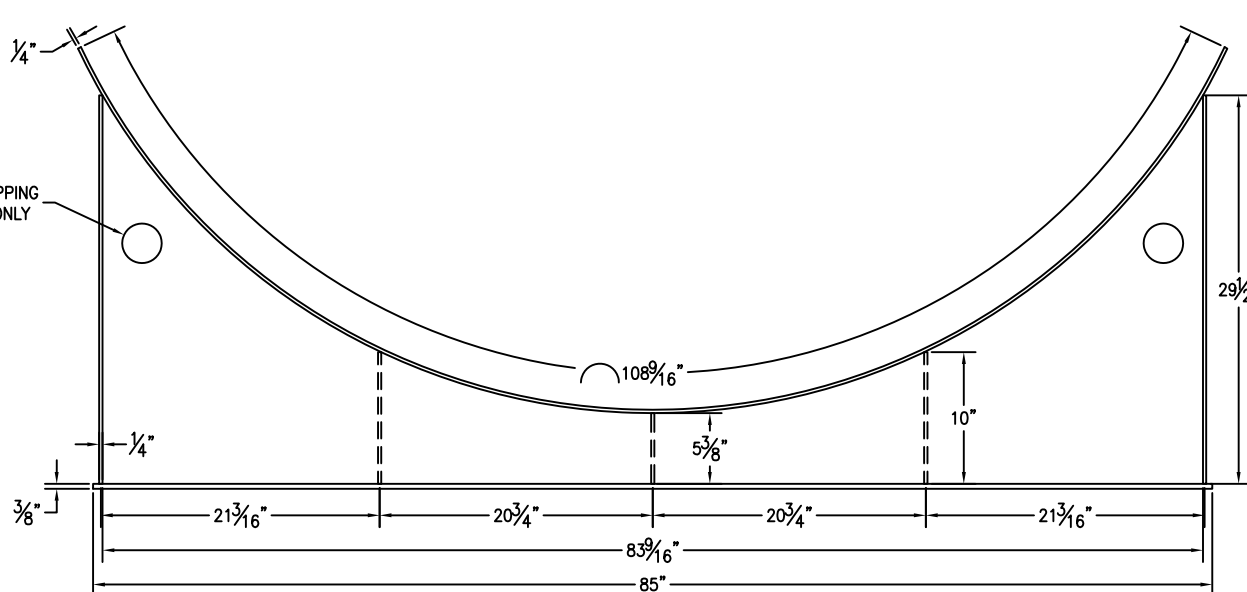
QUANTITY: ONE (1) REQUIRED
 WEIGHT: 6,750 lbs ± 10%



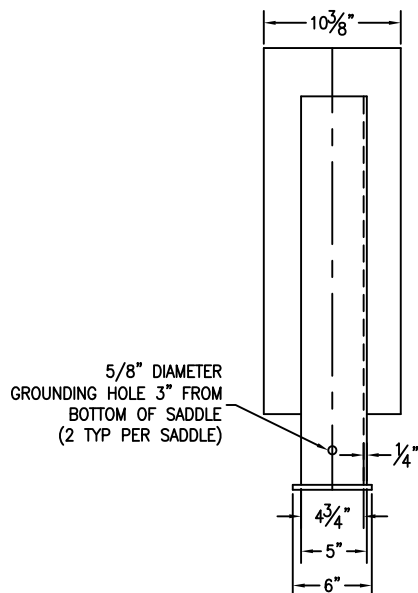
Underwriters
Laboratories Inc.
LISTED ®



BASE PLATE ANCHOR HOLE DETAIL



$\phi 3''$ FOR SHIPPING
PURPOSES ONLY



5/8" DIAMETER
GROUNDING HOLE 3" FROM
BOTTOM OF SADDLE
(2 TYP PER SADDLE)

CUSTOMER APPROVAL SIGNATURE/DATE:

6,000 GAL 6" TALL SADDLE FOR 96" DIAMETER TANK

SURFACE PREPARATION/COATING INFORMATION:
INTERIOR SURFACES: N/A
EXTERIOR SURFACES: SSPC-SP-6 COMMERCIAL BLAST CLEAN
ONE COAT PRIMER

MATERIAL /CONSTRUCTION/ LABELING INFORMATION:
MATERIAL: CARBON STEEL ASTM A 36 OR A 569

CUSTOMER:

PROJECT:

AGENT:



P.O. BOX 1279 GOLDSBORO, NC 27533
PHONE: (919)751-1791 FAX: (919)751-8186

DRAWING NUMBER: GI-S609606

REVISED 10/08

QUANTITY: TWO (2) REQUIRED
WEIGHT: 274 lb ± 10%