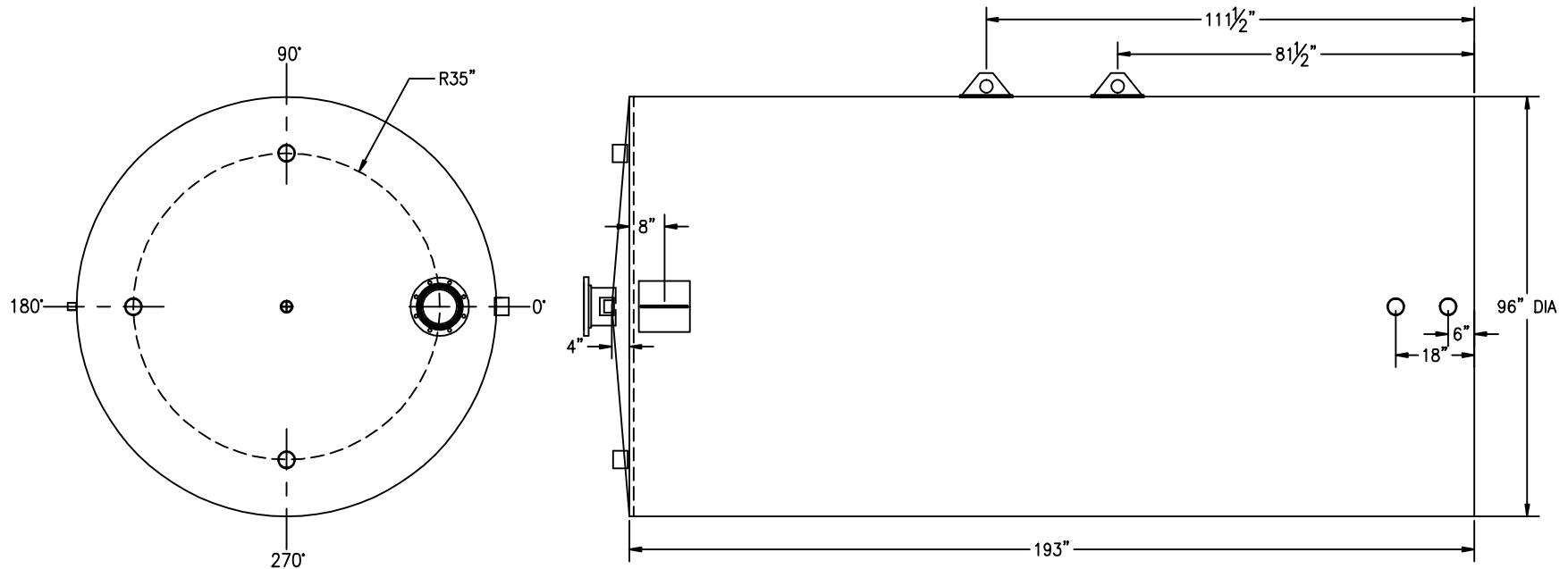




| ANGLE: | LOCATION:          | DESCRIPTION:                            | ANGLE: | LOCATION:       | DESCRIPTION:                            |
|--------|--------------------|---|--------|-----------------|---|
| 0°     | SHELL, DOWN 8"     | 3/8" THICK ERECTION LUG w/ ROLLED REPAD | 90°    | TOP, 35" RADIUS | 3" COUPLING                             |
| 0°     | SHELL, UP 6"       | 3" COUPLING                             | 180°   | SHELL, UP 2"    | 1" COUPLING                             |
| 0°     | SHELL, UP 18"      | 3" COUPLING                             | 180°   | SHELL, DOWN 8"  | 3/8" THICK ERECTION LUG w/ ROLLED REPAD |
| 0°     | TOP, 35" RADIUS    | 8" 150# RFSO FLANGE (EMERGENCY VENT)    | 180°   | TOP, 35" RADIUS | 3" COUPLING                             |
| 90°    | SHELL, UP 81 1/2"  | 3/8" THICK LIFT LUG w/ ROLLED REPAD     | 270°   | TOP, 35" RADIUS | 3" COUPLING                             |
| 90°    | SHELL, UP 111 1/2" | 3/8" THICK LIFT LUG w/ ROLLED REPAD     | N/A    | TOP, CENTER     | 2" COUPLING (NORMAL VENT)               |

STANDARD LAP/OFFSET WELD CONSTRUCTION TO UL-142 STANDARDS AND SPECIFICATIONS  
 ALL BOLT HOLES TO STRADDLE MAJOR CENTERLINES OR THEIR PARALLELS



CUSTOMER APPROVAL SIGNATURE/DATE:

**6,000 GALLON VERTICAL S/W ABOVE GROUND TANK**

**SURFACE PREPARATION/COATING INFORMATION:**

INTERIOR SURFACES:  
 N/A

EXTERIOR SURFACES:  
 SSPC-SP-6 COMMERCIAL BLAST CLEAN  
 ONE COAT PRIMER  
 BLACK ASPHALTUM PAINT ON EXTERIOR BOTTOM

QUANTITY: ONE (1) REQUIRED  
 WEIGHT: 4,300 lbs ± 5%

**MATERIAL /CONSTRUCTION/ LABELING INFORMATION:**

MATERIAL: CARBON STEEL (ASTM A 36, ASTM A 635 OR ASTM A 569)  
 MATERIAL THICKNESS: PRIMARY TANK: TOP: 7 GA SHELL: 7 GA BOTTOM: 1/4"

CONSTRUCTION IN ACCORDANCE WITH UNDERWRITERS LABORATORIES UL-142 STANDARDS FOR STEEL ABOVEGROUND TANKS FOR FLAMMABLE AND COMBUSTIBLE LIQUIDS

LABELING/MARKING: UNDERWRITERS LABORATORIES UL-142 / GENERAL INDUSTRIES NAMEPLATE

CUSTOMER:

PROJECT:

AGENT:

**GENERAL INDUSTRIES**  
 BUILDING TANKS TO PROTECT OUR ENVIRONMENT

P.O. BOX 1279 GOLDSBORO, NC 27533  
 PHONE: (919)751-1781 FAX: (919)751-8186  
 DRAWING NUMBER: