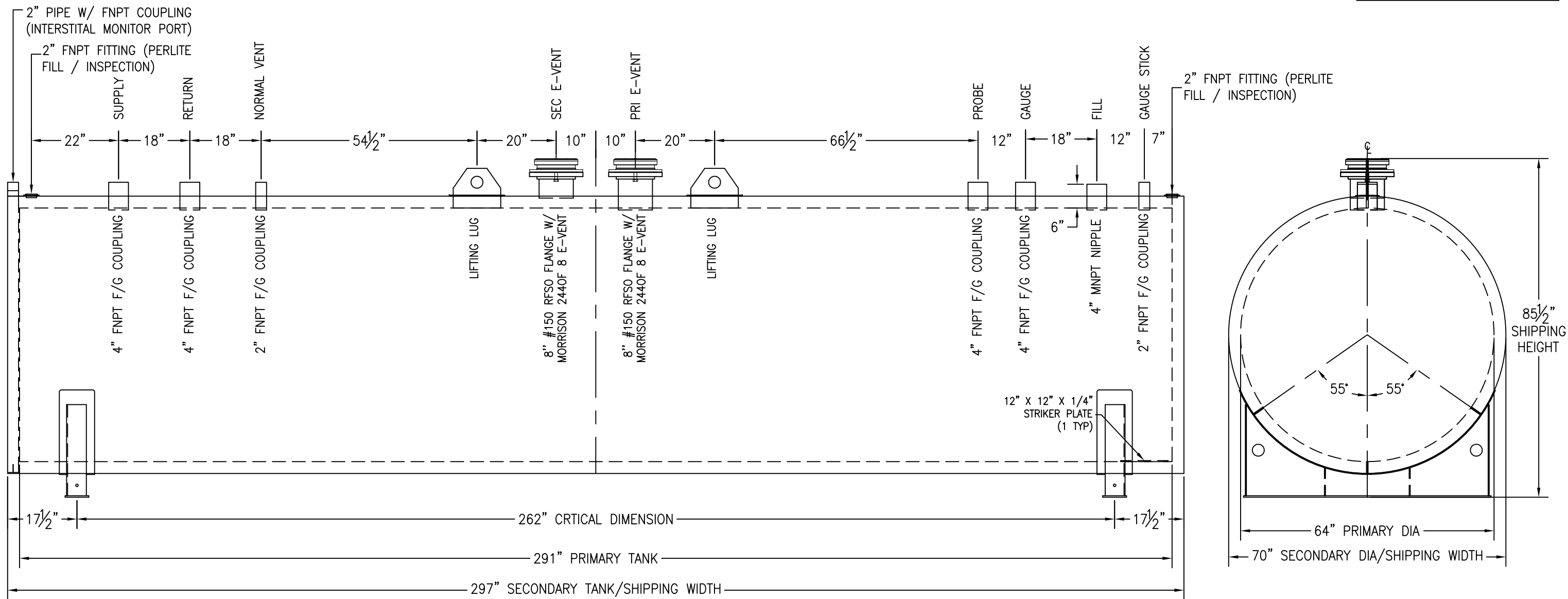


*SADDLES ARE SEAL WELDED TO TANK



CUSTOMER APPROVAL SIGNATURE/DATE:

4,000 GALLON THERMALLY INSULATED (FIREGUARD) STORAGE TANK

SURFACE PREPARATION/COATING INFORMATION:
 INTERIOR SURFACES: SSPC-SP-3 POWER TOOL CLEAN WELDS ONLY
 REMOVE ALL LOOSE DEBRIS
 EXTERIOR SURFACES: SSPC-SP-6 COMMERCIAL BLAST
 ONE COAT WHITE URETHANE @ 5-7 MILS DFT

MATERIAL /CONSTRUCTION/ LABELING INFORMATION:
 MATERIAL: CARBON STEEL ASTM A 36 OR A 569
 MATERIAL THICKNESS: PRIMARY TANK: 7 GA
 SECONDARY TANK: 7 GA
 LABELING/MARKING: UNDERWRITERS LABORATORIES UL-2085
 / STEEL TANK INSTITUTE FIREGUARD

CUSTOMER:
 PROJECT:
 AGENT:

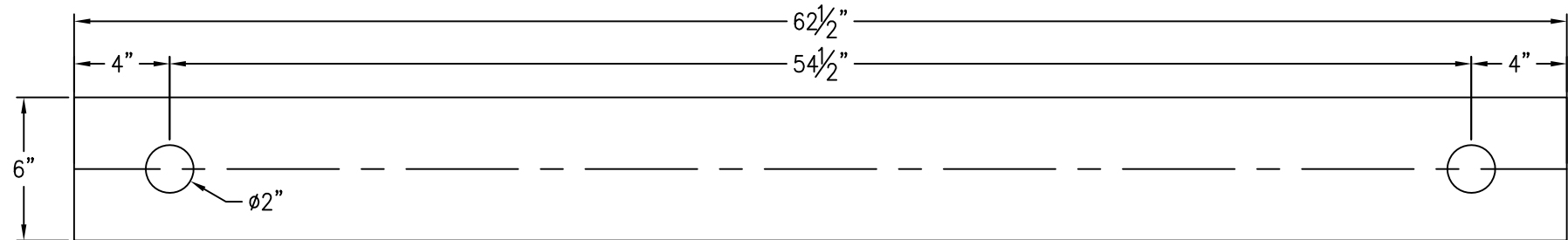


P.O. BOX 1279 GOLDSBORO, NC 27533
 PHONE: (919)751-1791 FAX: (919)751-8186

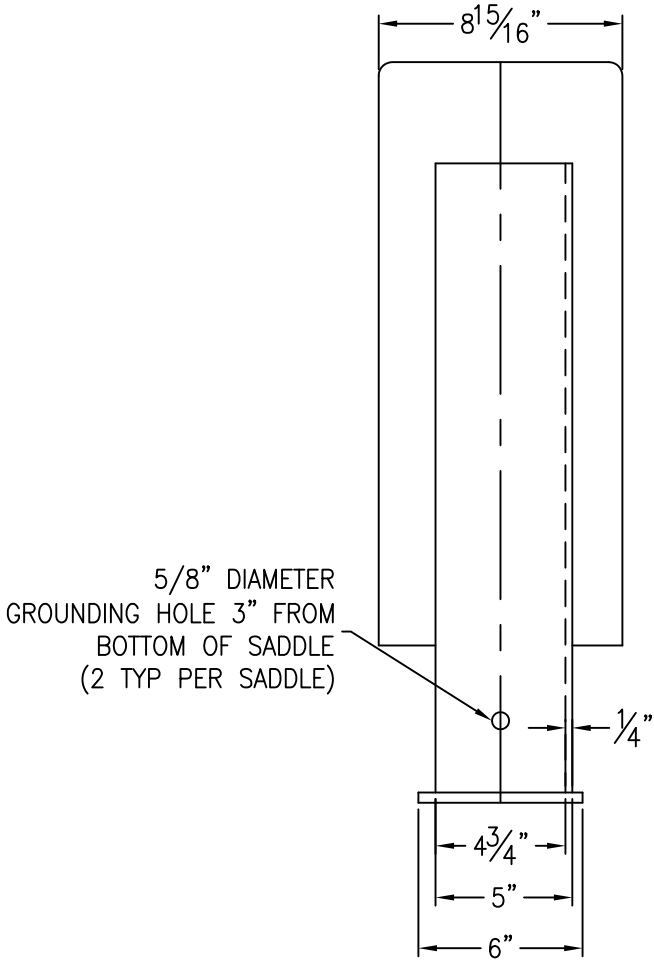
DRAWING NUMBER: **GIFG04K64** REVISED 6/15

QUANTITY: ONE (1) REQUIRED
 WEIGHT: 13,250 lbs ± 10%

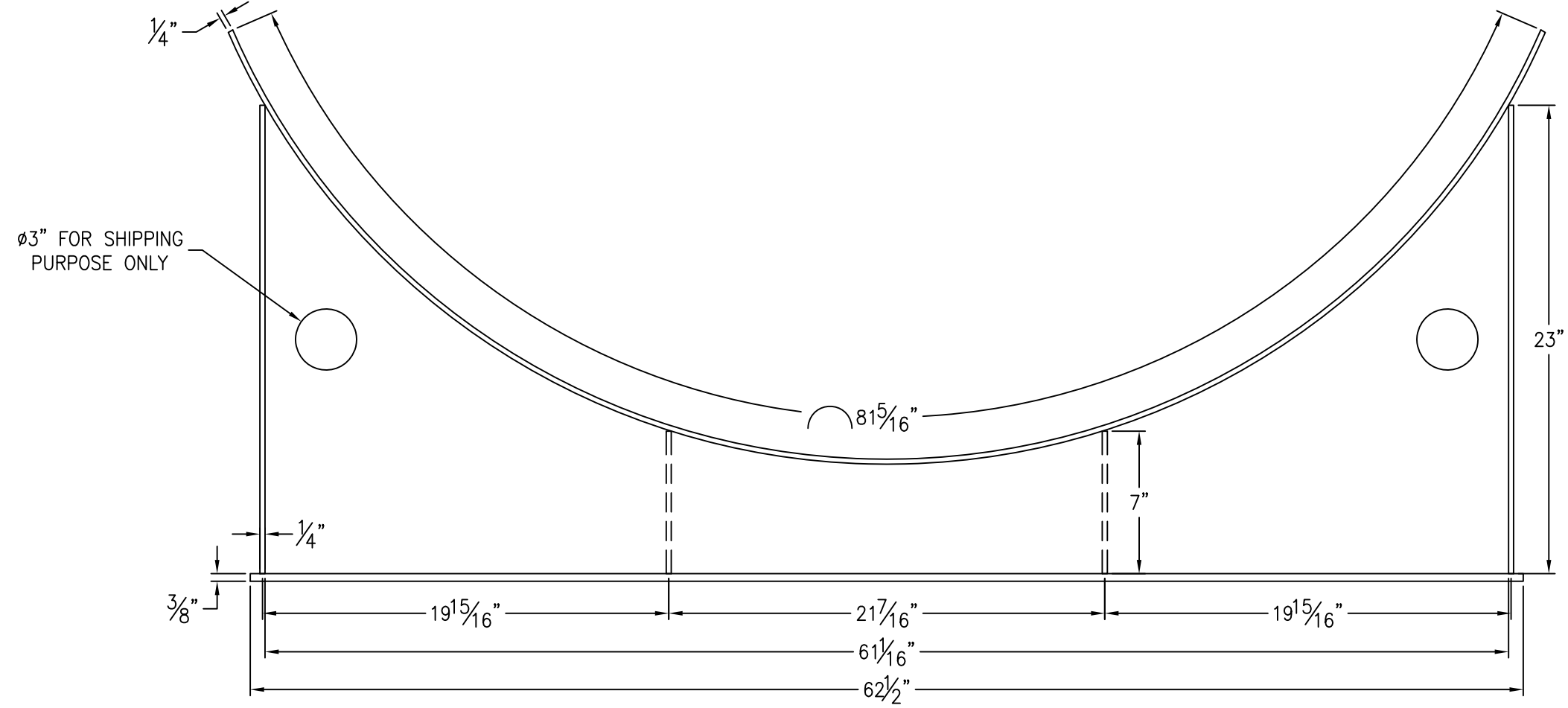
*SADDLES ARE SEAL WELDED TO TANK



BASE PLATE ANCHOR HOLE DETAIL



5/8" DIAMETER
GROUNDING HOLE 3" FROM
BOTTOM OF SADDLE
(2 TYP PER SADDLE)



$\phi 3''$ FOR SHIPPING
PURPOSE ONLY

CUSTOMER APPROVAL SIGNATURE/DATE:

4,000 GAL 6" TALL SADDLE FOR 70" DIAMETER FIREGUARD TANK

SURFACE PREPARATION/COATING INFORMATION:

MATERIAL /CONSTRUCTION/ LABELING INFORMATION:

EXTERIOR SURFACES: SSPC-SP-6 COMMERCIAL BLAST
ONE COAT WHITE URETHANE @ 5-7 MILS DFT

MATERIAL: CARBON STEEL ASTM A 36 OR A 569

CUSTOMER:
PROJECT:
AGENT:



P.O. BOX 1279 GOLDSBORO, NC 27533
PHONE: (919)751-1791 FAX: (919)751-8186
DRAWING NUMBER:

GI-S6F7004

REVISED 6/15

QUANTITY: TWO (2) REQUIRED
WEIGHT: 187 lbs ea \pm 10%