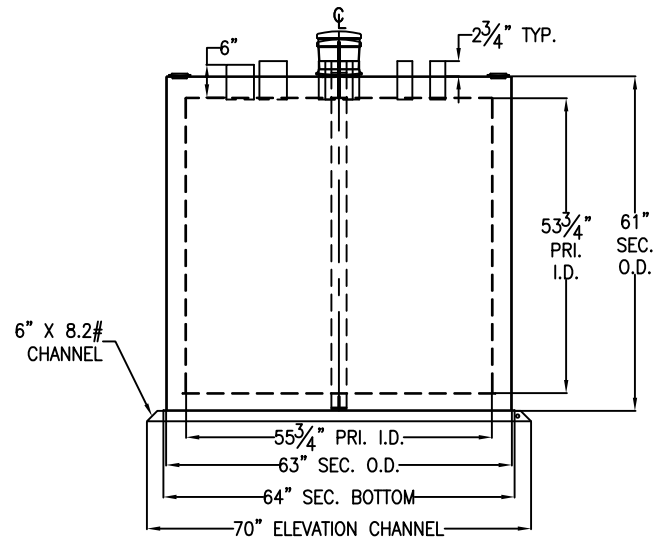
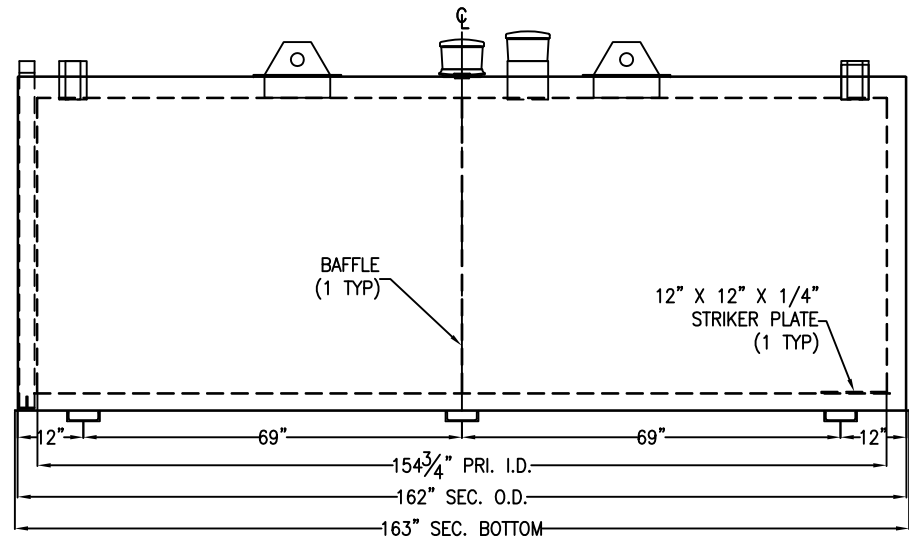


- A - 2" SCH 40 PIPE W/COUPLING ON END (INTERSTITIAL MONITOR / LEAK DETECTOR TUBE)
- B - 2" FNPT F/G COUPLING (NORMAL VENT)
- C - 4" FNPT F/G COUPLING (SUPPLY/RETURN)
- D - LIFTING LUG
- E - 2" FNPT FITTING (LIGHT WEIGHT CONCRETE FILL PORT)
- F - 6" FNPT FITTING W/MORRISON 2440M VENT (SECONDARY EMERGENCY VENT OPENING)
- G - 6" FNPT F/G COUPLING W/MORRISON 2440M VENT (PRIMARY EMERGENCY VENT OPENING)
- H - 2" FNPT F/G COUPLING (GAUGE STICK)
- I - 4" FNPT F/G COUPLING (GAUGE/SPARE)
- J - 4" MNPT NIPPLE (FILL)
- K - 5/8" HOLE IN 6" ELEVATION CHANNEL FOR GROUNDING



CUSTOMER APPROVAL SIGNATURE/DATE:

**2,000 GALLON THERMALLY INSULATED RECTANGULAR (FIREGUARD) STORAGE TANK**

**SURFACE PREPARATION/COATING INFORMATION:**  
 INTERIOR SURFACES: N/A  
 EXTERIOR SURFACES: SSPC-SP-6 COMMERCIAL BLAST FINISH PAINT WHITE

**MATERIAL /CONSTRUCTION/ LABELING INFORMATION:**  
 MATERIAL: CARBON STEEL ASTM A 36 OR ASTM A 569  
 MATERIAL THICKNESS: PRIMARY TANK: 10 GA  
 SECONDARY TANK: 10 GA

QUANTITY: ONE (1) REQUIRED  
 WEIGHT: 8,500 lbs ± 10%

LABELING/MARKING: UNDERWRITERS LABORATORIES UL-2085 / SWRI/  
 STEEL TANK INSTITUTE FIREGUARD

CUSTOMER:  
 PROJECT:  
 AGENT:

P.O. BOX 1279 GOLDSBORO, NC 27533  
 PHONE: (919)751-1791 FAX: (919)751-8186  
 DRAWING NUMBER: **GIFR02K** REVISED 7/09