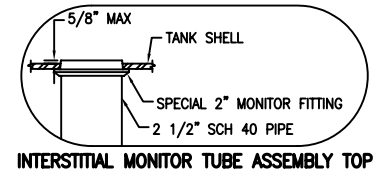
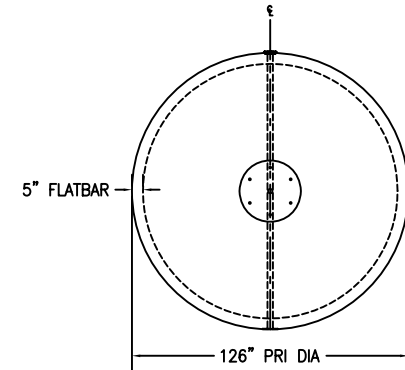
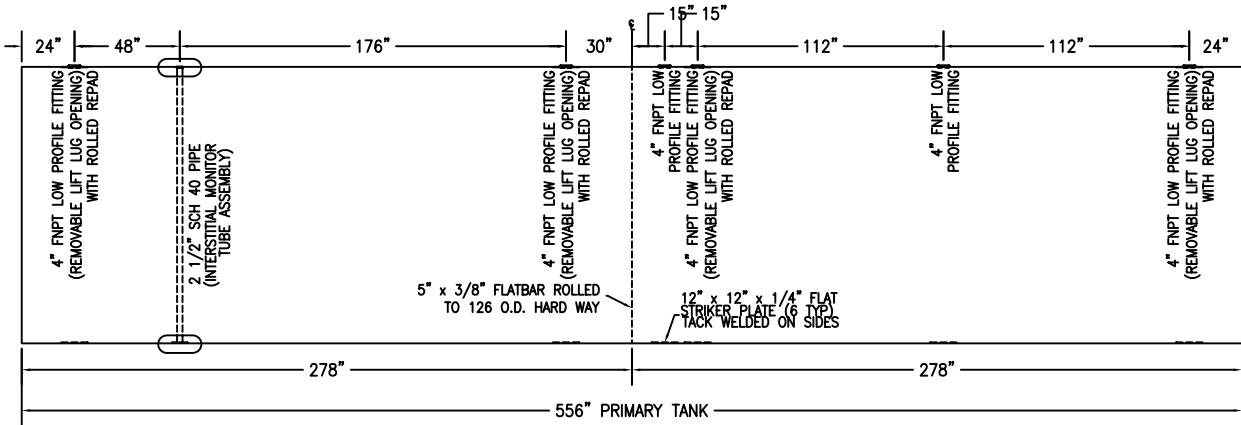


1/4" THICK STRIKER PLATES INSTALLED ON THE TANK INTERIOR BOTTOM UNDER EACH OPENING IN ACCORDANCE WITH STEEL TANK INSTITUTE
 24" x 24" x 3/8" ROTATOR ATTACHMENT PLATE WITH FIVE 3/4" x 3" LONG THREADED STUDS WELDED TO EACH HEAD, STUDS REMOVED PRIOR TO COMPLETION OF COATING OPERATION
 *** THIS TANK DESIGNED FOR MAXIMUM BURIAL DEPTH OF 5 FEET (GRADE TO TOP OF TANK) WITH APPROVED BACKFILL MATERIAL ***



CUSTOMER APPROVAL SIGNATURE/DATE:

30,000 GALLON D/W PERMATANK U/G STORAGE TANK

SURFACE PREPARATION/COATING INFORMATION:

INTERIOR SURFACES: N/A
 EXTERIOR SURFACES: SSPC-SP-6 COMMERCIAL BLAST CLEAN
 POLYPROPYLENE MESH STANDOFF/POLYESTER MYLAR FORMING INTERSTITIAL SPACE WITH 100 MILS MINIMUM STEEL TANK INSTITUTE APPROVED FIBERGLASS REINFORCED POLYESTER RESIN/CHEMICAL RESISTANT VEIL COATING (STEEL TANK ASSOCIATION POLYPROPYLENE STAND OFF MESH, 1 MIL MINIMUM POLYESTER (MYLAR) FILM, REICHOLD CHEMICALS 33-402/33-404 POLYESTER RESIN, PPG HYBON 600 HTX FIBERGLASS ROVING, STEEL TANK ASSOCIATION 10 MIL CHEMICAL RESISTANT SURFACING VEIL AND POST COAT WAX COATING)

MATERIAL /CONSTRUCTION/ LABELING INFORMATION:

MATERIAL: CARBON STEEL (ASTM A 36, ASTM A 635 OR ASTM A 569)
 MATERIAL THICKNESS: PRIMARY HEAD: 1/4" SHELL: 5/16" (ROARK .2564 w/ STIFFENER) SECONDARY TANK 100 MILS FRP COATING
 CONSTRUCTION IN ACCORDANCE WITH UNDERWRITERS LABORATORIES UL-58 STANDARD FOR STEEL UNDERGROUND TANKS FOR FLAMMABLE AND COMBUSTIBLE LIQUIDS AND STEEL TANK INSTITUTE SPECIFICATION FOR PERMATANK
 LABELING/MARKING: UNDERWRITERS LABORATORIES UL-58 / STEEL TANK INSTITUTE PERMATANK / GENERAL INDUSTRIES NAMEPLATE

CUSTOMER:
 PROJECT:
 AGENT:

P.O. BOX 1279 GOLDSBORO, NC 27533
 PHONE: (919)751-1791 FAX: (919)751-8186
 DRAWING NUMBER:

QUANTITY: ONE (1) REQUIRED
 WEIGHT: 26,250 lb ± 5%