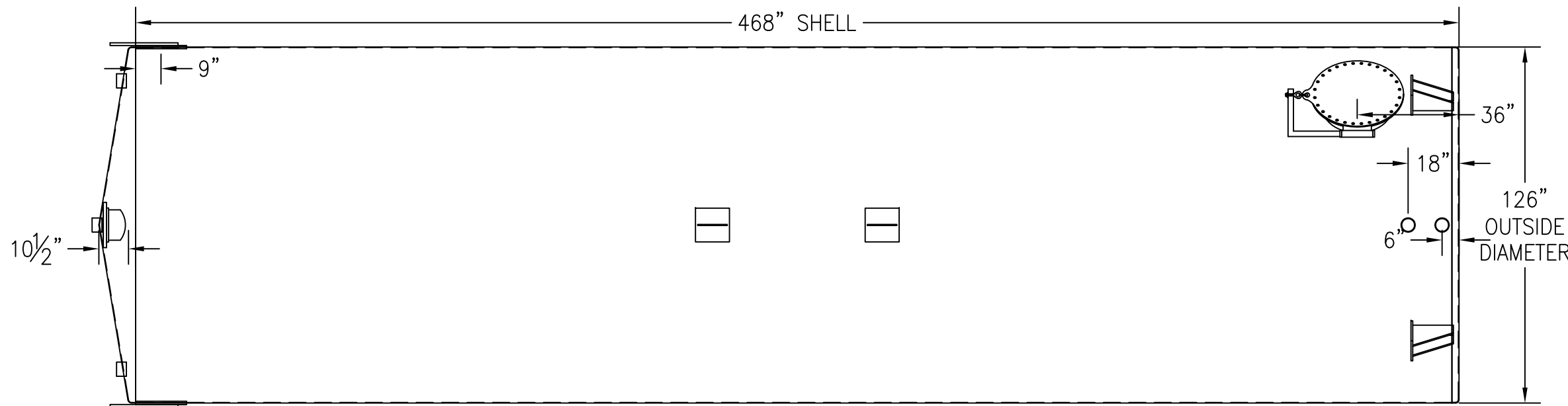
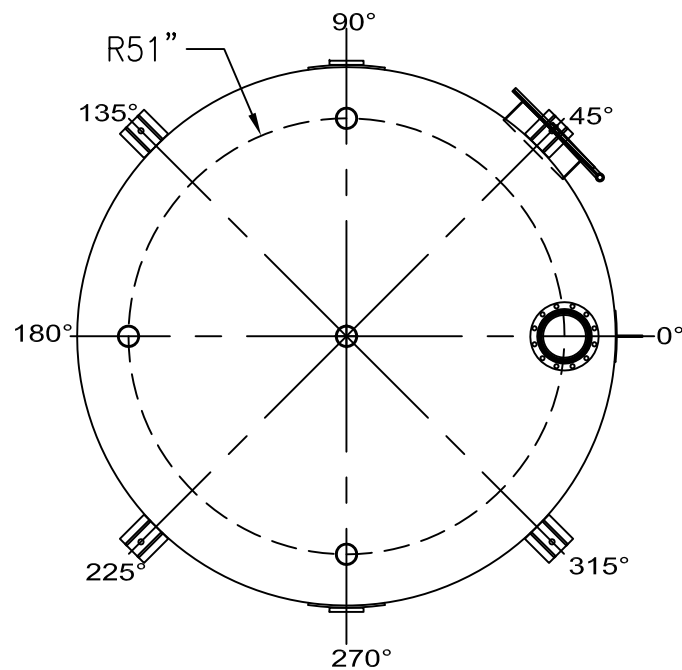


ANGLE:	LOCATION:	DESCRIPTION:
0°	SHELL, UP 6"	4" FNPT S.S. COUPLING
0°	SHELL, UP 18"	4" FNPT S.S. COUPLING
0°	SHELL, TBD	LIFTING LUG W/REPAD
0°	SHELL, TBD	LIFTING LUG W/REPAD
0°	TOP, 51" RADIUS	10" 150# RFSO S.S. FLANGE (EMERGENCY VENT)
45°	BOTTOM	ANCHOR CHAIR
45°	SHELL, UP 36"	24" SHELL S.S. MANWAY W/DAVIT ARM
ALL BOLT HOLES TO STRADDLE MAJOR CENTERLINES OR THEIR PARALLELS		

ANGLE:	LOCATION:	DESCRIPTION:
90°	TOP, 51" RADIUS	4" FNPT S.S. COUPLING
90°	SHELL, DOWN 9"	ERECTION LUG W/REPAD
135°	BOTTOM	ANCHOR CHAIR
180°	TOP, 51" RADIUS	4" FNPT S.S. COUPLING
225°	BOTTOM	ANCHOR CHAIR
270°	SHELL, DOWN 9"	ERECTION LUG W/REPAD
270°	TOP, 51" RADIUS	4" FNPT S.S. COUPLING
315°	BOTTOM	ANCHOR CHAIR
N/A	TOP, CENTER	4" FNPT S.S. COUPLING (NORMAL VENT)

**ALL WELDS DOUBLE BUTT  
W/FULL PENETRATION**



CUSTOMER APPROVAL SIGNATURE/DATE:

**25,000 GALLON VERTICAL S/W ABOVE GROUND NITRIC ACID STORAGE TANK**

**SURFACE PREPARATION/COATING INFORMATION:**

INTERIOR SURFACES: SSPC-SP-6 COMMERCIAL BLAST CLEAN WELDS ONLY  
CLEAN WITH PHOSPHORIC ACID AND RINSE WITH WATER

EXTERIOR SURFACES:  
SSPC-SP-6 COMMERCIAL BLAST CLEAN WELDS ONLY  
CLEAN WITH PHOSPHORIC ACID AND RINSE WITH WATER

**MATERIAL /CONSTRUCTION/ LABELING INFORMATION:**

MATERIAL: STAINLESS STEEL 316L  
MATERIAL THICKNESS: TANK TOP & SHELL: 3/16" BOTTOM: 1/4"

LABELING/MARKING: API 650 APPENDIX J

CUSTOMER:

PROJECT:

AGENT:



P.O. BOX 1279 GOLDSBORO, NC 27533  
PHONE: (919)751-1791 FAX: (919)751-8186

DRAWING NUMBER:  
**GICV-NA-25120**

11/2014

QUANTITY: ONE (1) REQUIRED  
WEIGHT: 13,000 lbs ± 10%