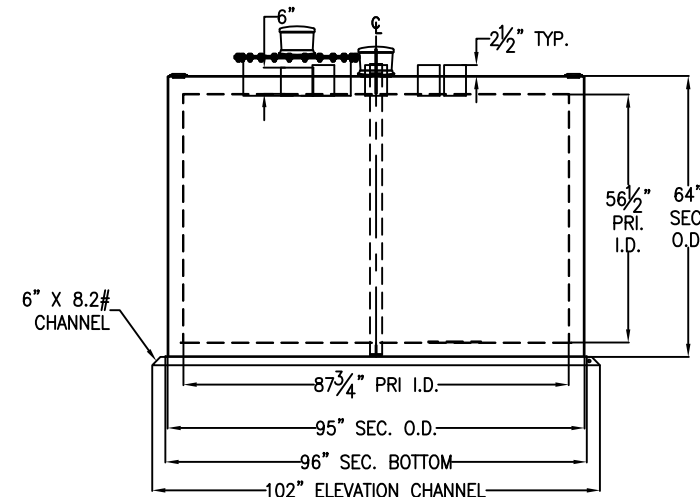
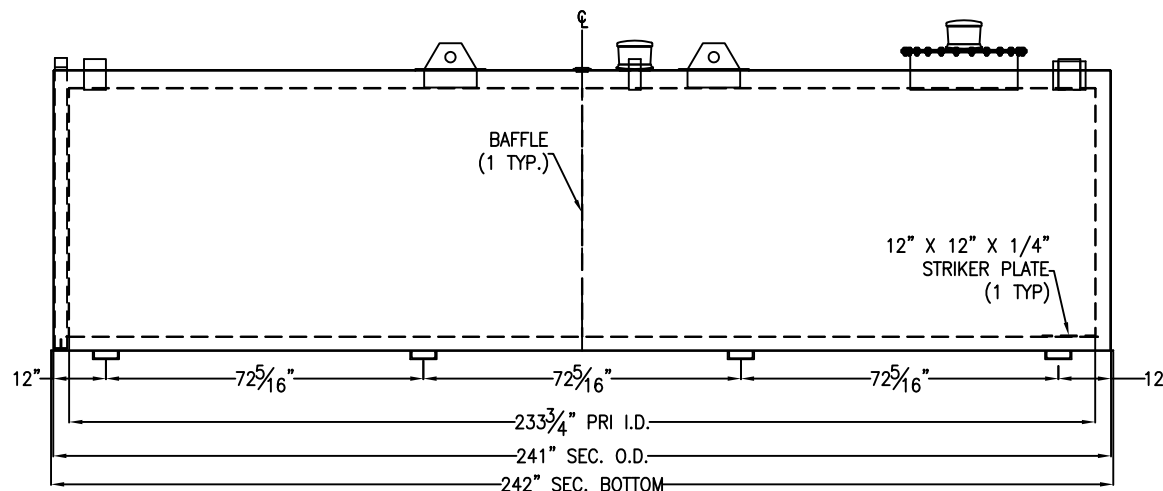
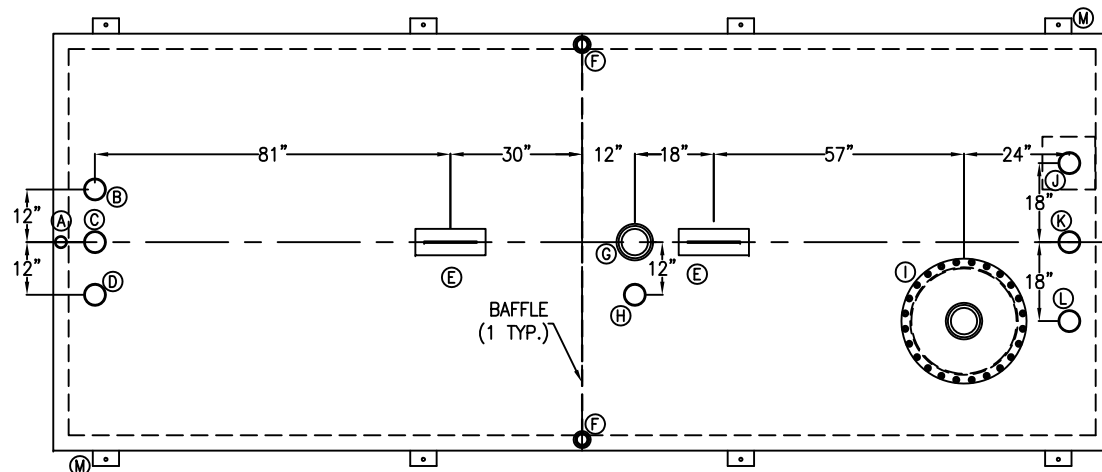




- A - 2" SCH 40 PIPE W/COUPLING ON END (INTERSTITIAL MONITOR / LEAK DETECTOR TUBE)
- B - 4" FNPT F/G COUPLING (NORMAL VENT)
- C - 4" FNPT F/G COUPLING (SUPPLY)
- D - 4" FNPT F/G COUPLING (RETURN)
- E - LIFTING LUG
- F - 2" FNPT FITTING (LIGHT WEIGHT CONCRETE FILL PORT)
- G - 6" FNPT FITTING W/MORRISON 2440M VENT (SECONDARY EMERGENCY VENT OPENING)
- H - 4" FNPT F/G COUPLING (PROBE)
- I - 24" STANDARD MANWAY W/6" FNPT FITTING IN CENTER W/MORRISON 2440M VENT (PRIMARY EMERGENCY VENT OPENING)
- J - 4" FNPT F/G COUPLING (GAUGE STICK)
- K - 4" FNPT F/G COUPLING (GAUGE/SPARE)
- L - 6" MNPT NIPPLE (FILL)
- M - 5/8" HOLE IN 6" ELEVATION CHANNEL FOR GROUNDING



CUSTOMER APPROVAL SIGNATURE/DATE:

**5,000 GALLON THERMALLY INSULATED RECTANGULAR (FIREGUARD) STORAGE TANK**

**SURFACE PREPARATION/COATING INFORMATION:**  
 INTERIOR SURFACES: N/A  
 EXTERIOR SURFACES: SSPC-SP-6 COMMERCIAL BLAST  
 ONE COAT FINISH PAINT WHITE

**MATERIAL /CONSTRUCTION/ LABELING INFORMATION:**  
 MATERIAL: CARBON STEEL ASTM A 36 OR ASTM A 569  
 MATERIAL THICKNESS: PRIMARY TANK: 10 GA  
 SECONDARY TANK: 7 GA

LABELING/MARKING: UNDERWRITERS LABORATORIES UL-2085 / SWRI / STEEL TANK INSTITUTE FIREGUARD

CUSTOMER:  
 PROJECT:  
 AGENT:



P.O. BOX 1279 GOLDSBORO, NC 27533  
 PHONE: (919)751-1791 FAX: (919)751-8186

DRAWING NUMBER: GIFR05K REVISED 8/09

QUANTITY: ONE (1) REQUIRED  
 WEIGHT: 16,500 lbs ± 10%