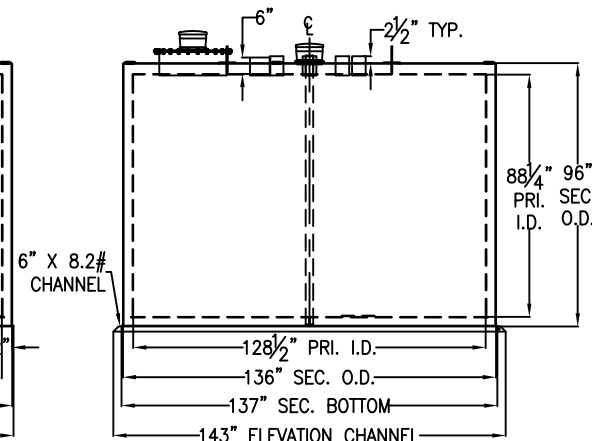
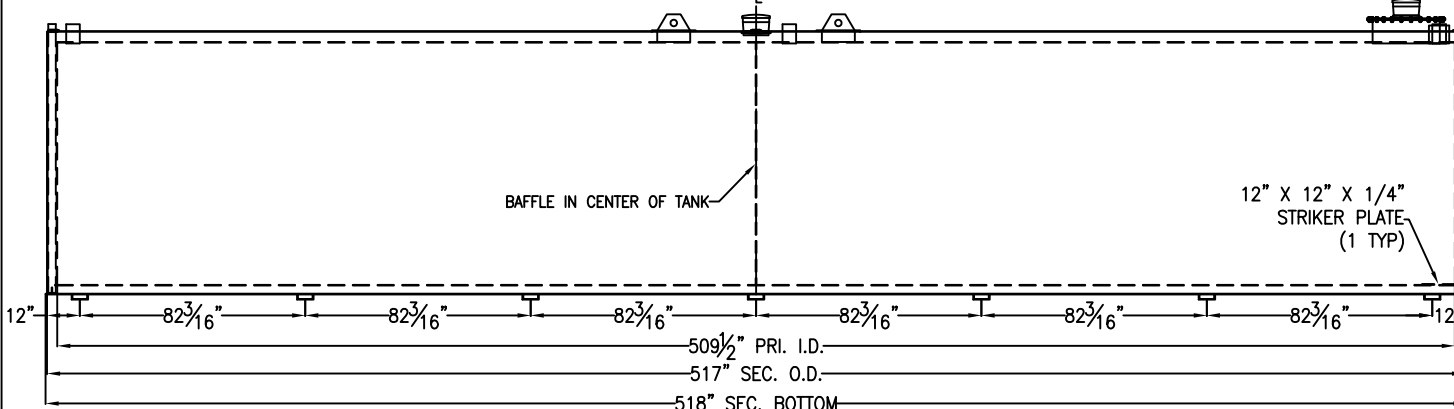


- A - 2" SCH 40 PIPE W/COUPLING ON END (INTERSTITIA MONITOR / LEAK DETECTOR TUBE)
- B - 2" FNPT FITTING (LIGHT WEIGHT CONCRETE FILL PORT)
- C - 4" FNPT F/G COUPLING (NORMAL VENT)
- D - 4" FNPT F/G COUPLING (SUPPLY)
- E - 4" FNPT F/G COUPLING (RETURN)
- F - LIFTING LUG
- G - 8" FNPT FITTING W/MORRISON 2440M VENT (SECONDARY EMERGENCY VENT OPENING)
- H - 4" FNPT F/G COUPLING (PROBE)
- I - 24" STANDARD MANWAY W/8" FNPT FITTING IN CENTER W/MORRISON 2440M VENT (PRIMARY EMERGENCY VENT OPENING)
- J - 4" FNPT F/G COUPLING (GAUGE STICK)
- K - 4" FNPT F/G COUPLING (GAUGE/SPARE)
- L - 6" FNPT F/G COUPLING (FILL)
- M - 5/8" HOLE IN 6" ELEVATION CHANNEL FOR GROUNDING



CUSTOMER APPROVAL SIGNATURE/DATE:

QUANTITY: ONE (1) REQUIRED
WEIGHT: 62,000 lbs ± 10%

25,000 GALLON THERMALLY INSULATED RECTANGULAR (FIREGUARD) STORAGE TANK

SURFACE PREPARATION/COATING INFORMATION:
 INTERIOR SURFACES: N/A
 EXTERIOR SURFACES: SSPC-SP-6 COMMERCIAL BLAST
 ONE COAT FINISH PAINT WHITE

MATERIAL /CONSTRUCTION/ LABELING INFORMATION:
 MATERIAL: CARBON STEEL ASTM A 36 OR ASTM A 569
 MATERIAL THICKNESS: PRIMARY TANK: 1/4"
 SECONDARY TANK: 1/4"

LABELING/MARKING: UNDERWRITERS LABORATORIES UL-2085 / SWRI / STEEL TANK INSTITUTE FIREGUARD

CUSTOMER:
PROJECT:
AGENT:

P.O. BOX 1279 GOLDSBORO, NC 27533
PHONE: (919)751-1791 FAX: (919)751-8186

DRAWING NUMBER: **GIFR25K** REVISED 08/09